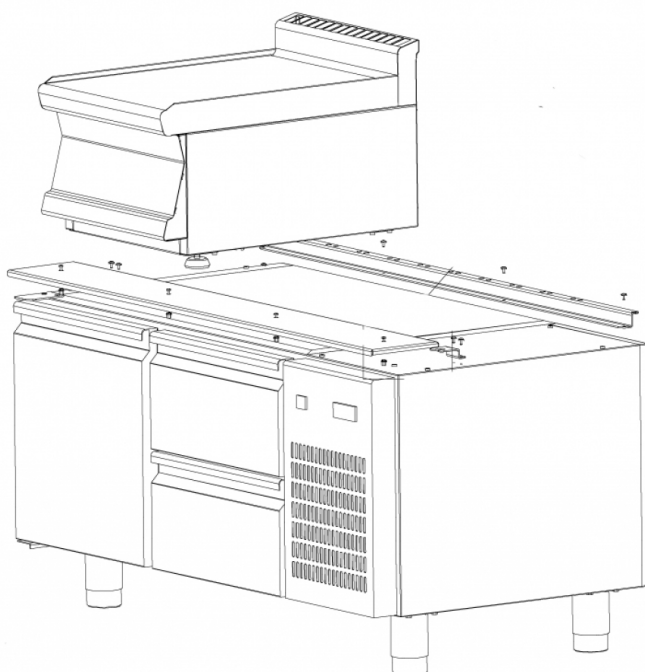


# K60-BRS210

REFRIGERATED BASES

REFRIGERATED BASES ACCESSORIES

Fixing kit for S60 on refrigerated stand



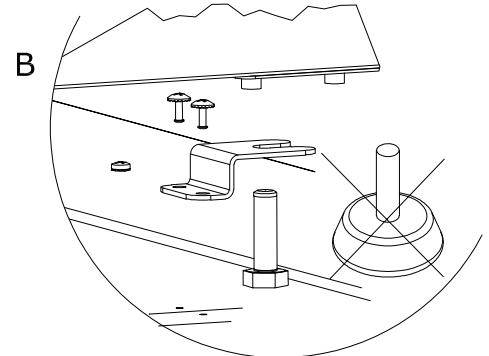
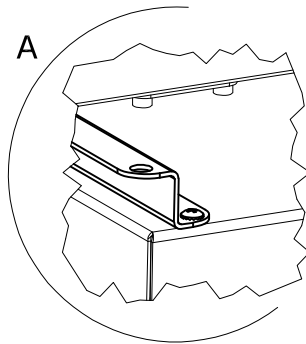
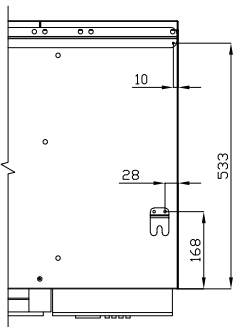
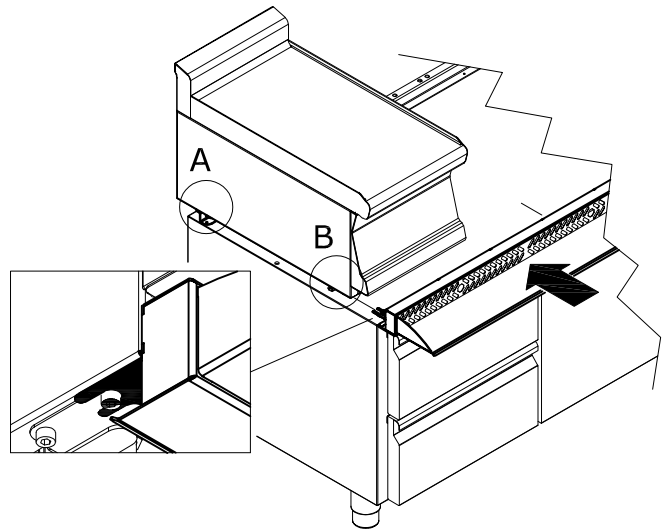
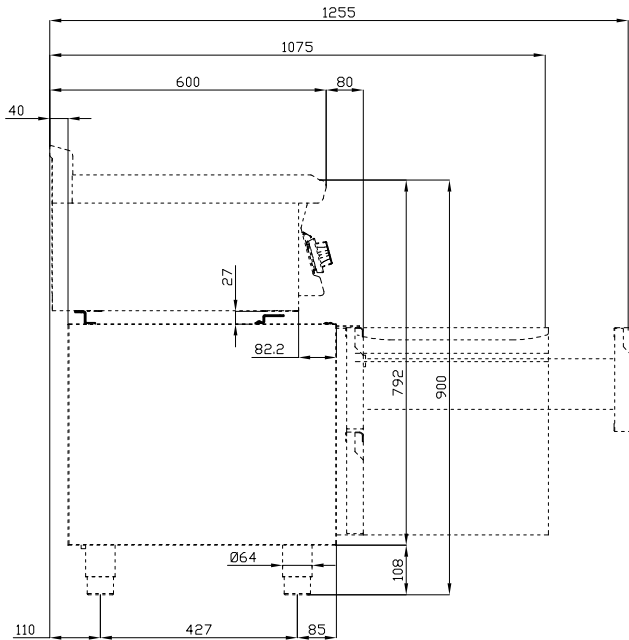
ITALIAN CULINARY ART

The pictures are purely representative. The manufacturer reserves the right to modify the technical data and models without previous notice.

# K60-BRS210

REFRIGERATED BASES

REFRIGERATED BASES ACCESSORIES



A	Data plate				
---	------------	--	--	--	--

MODEL: K60-BRS210

DIMENSIONS: cm. 210



m<sup>3</sup>: 0.008  
mm: 2120x60x60

BUY LOTUS BUY ITALY

The pictures are purely representative. The manufacturer reserves the right to modify the technical data and models without previous notice.



LOTUS S.P.A. Via Calmaor, 46  
31020 San Vendemiano (TV) - Italy  
Tel. + 39 0438 778020 / 778468  
Fax + 39 0438 778277  
www.lotuscookers.it - lotus@lotuscookers.it