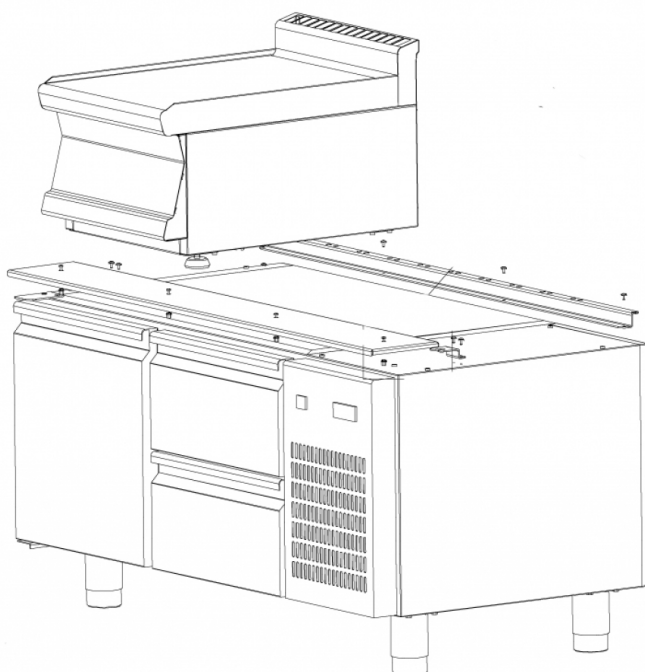


K60-BRS160

REFRIGERATED BASES

REFRIGERATED BASES ACCESSORIES

Fixing kit for S60 on refrigerated stand



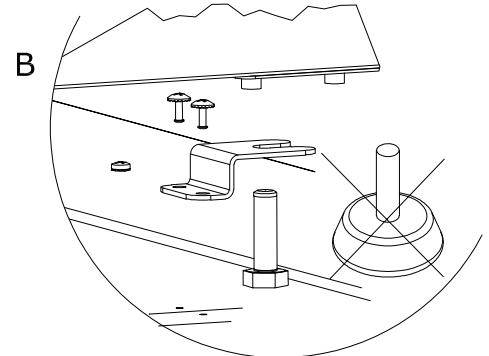
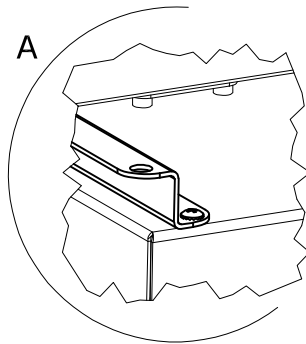
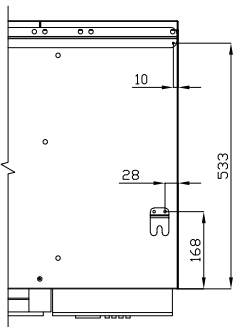
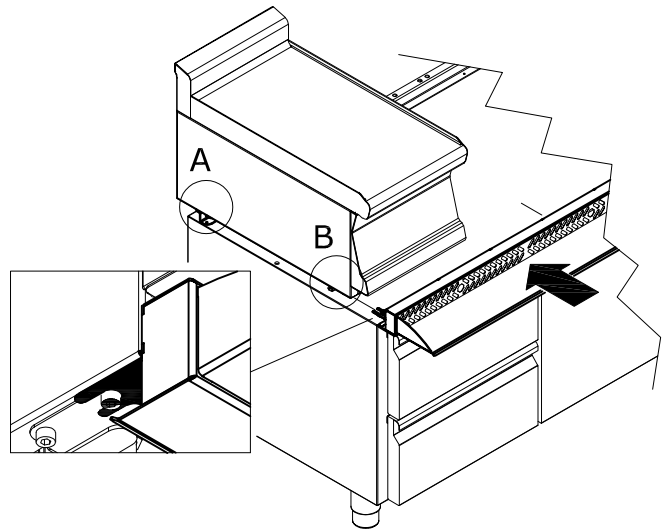
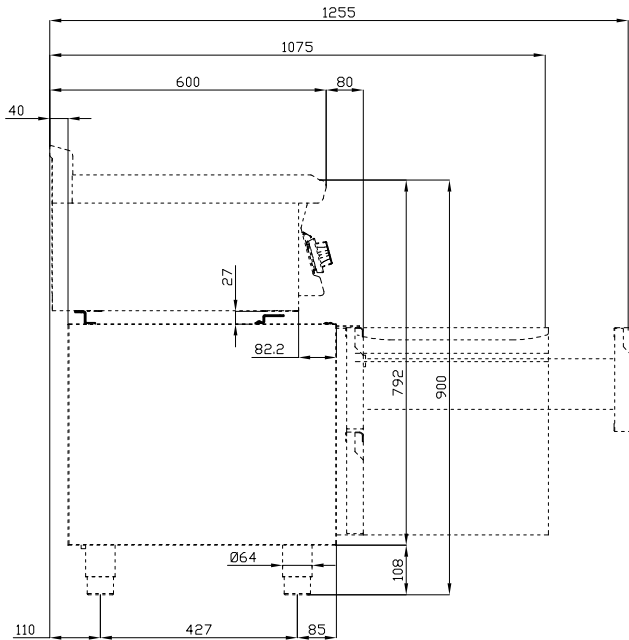
ITALIAN CULINARY ART

The pictures are purely representative. The manufacturer reserves the right to modify the technical data and models without previous notice.

K60-BRS160

REFRIGERATED BASES

REFRIGERATED BASES ACCESSORIES



A	Data plate				
---	------------	--	--	--	--

MODEL: K60-BRS160

DIMENSIONS: cm. 160



kg: 4
 m³: 0.006
 mm: 1620x60x60

BUY LOTUS BUY ITALY

The pictures are purely representative. The manufacturer reserves the right to modify the technical data and models without previous notice.



LOTUS S.P.A. Via Calmaor, 46
 31020 San Vendemiano(TV) - Italy
 Tel. + 39 0438 778020 / 778468
 Fax + 39 0438 778277
 www.lotuscookers.it - lotus@lotuscookers.it