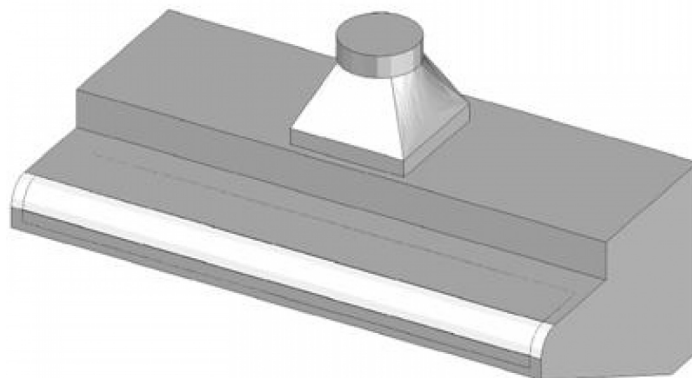


# K-12

## EXTRACTOR HOODS

### WALL HOODS K

Wall hood without motor



**Construction** - Fabricated using CrNi 18/10 AISI 304 grade Stainless Steel Scotch-Brite Satin polish Finish. **Model** - Professional wall direct hood. **Ideal for cooking line serie 60/70. Neutral version without motor.**  
**Maintenance** - Easy removal of filters. **Fittings** - Appliance is supplied with labyrinth filters. **Coupling flange. Condensate drain.**

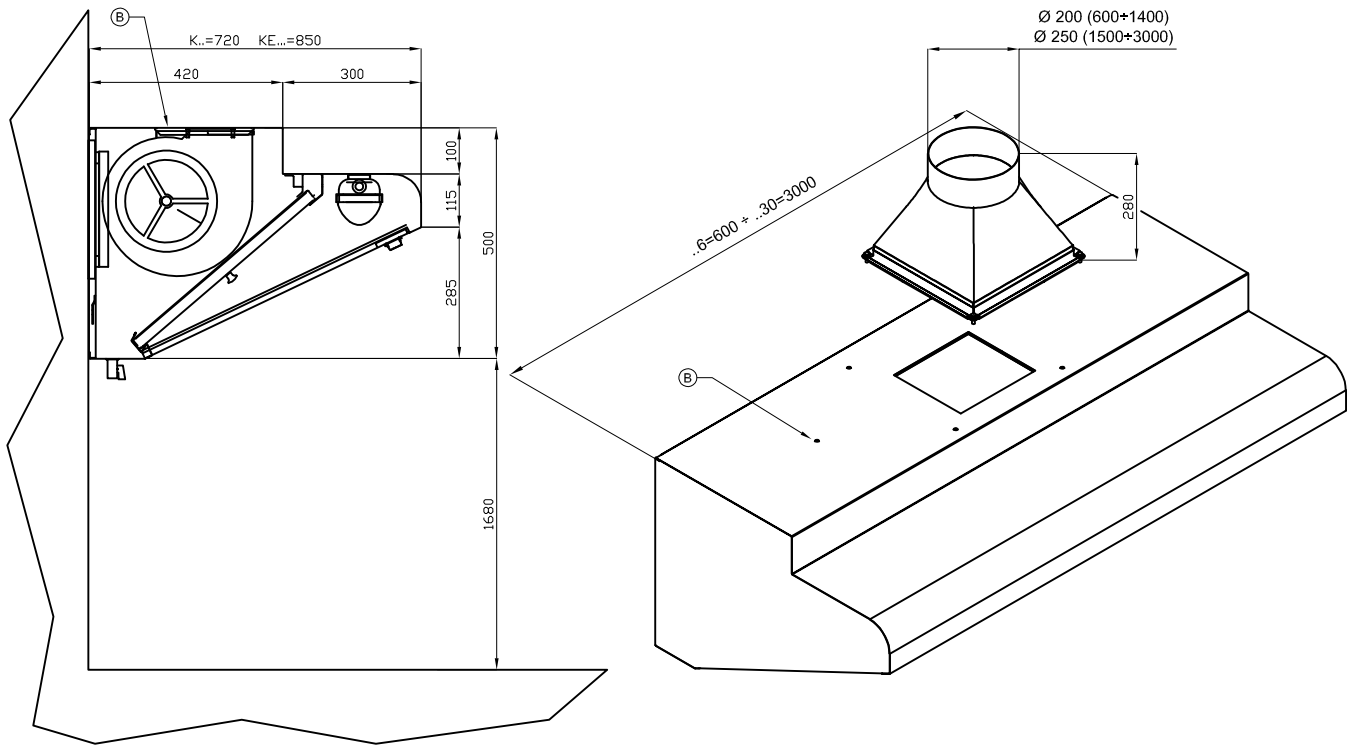


ITALIAN CULINARY ART

The pictures are purely representative. The manufacturer reserves the right to modify the technical data and models without previous notice.

# K-12

## EXTRACTOR HOODS WALL HOODS K



A	Data plate				
---	------------	--	--	--	--

MODEL:

K-12

DIMENSIONS:

cm. 120x 72x 50h



kg: 33  
m<sup>3</sup>: 0.634  
mm: 1250x570x890

BUY LOTUS BUY ITALY

The pictures are purely representative. The manufacturer reserves the right to modify the technical data and models without previous notice.



LOTUS S.P.A. Via Calmaor, 46  
31020 San Vendemiano (TV) - Italy  
Tel. + 39 0438 778020 / 778468  
Fax + 39 0438 778277  
www.lotuscookers.it - lotus@lotuscookers.it