

FVD-78ET

ELECTRIC FREELOTUS

ELECTRIC OVENS 70

Electric fan oven cm. 55x36x34h, temp:
50÷300°C, with 1 grid cm.53x32,5 GN1/1



Construction - Fabricated using CrNi 18/10 AISI 304, chromed details.
Model - Professional electric oven. Fan oven GN 1/1 or Traditional oven
GN 2/1. Electric oven with 50 - 300degC control.



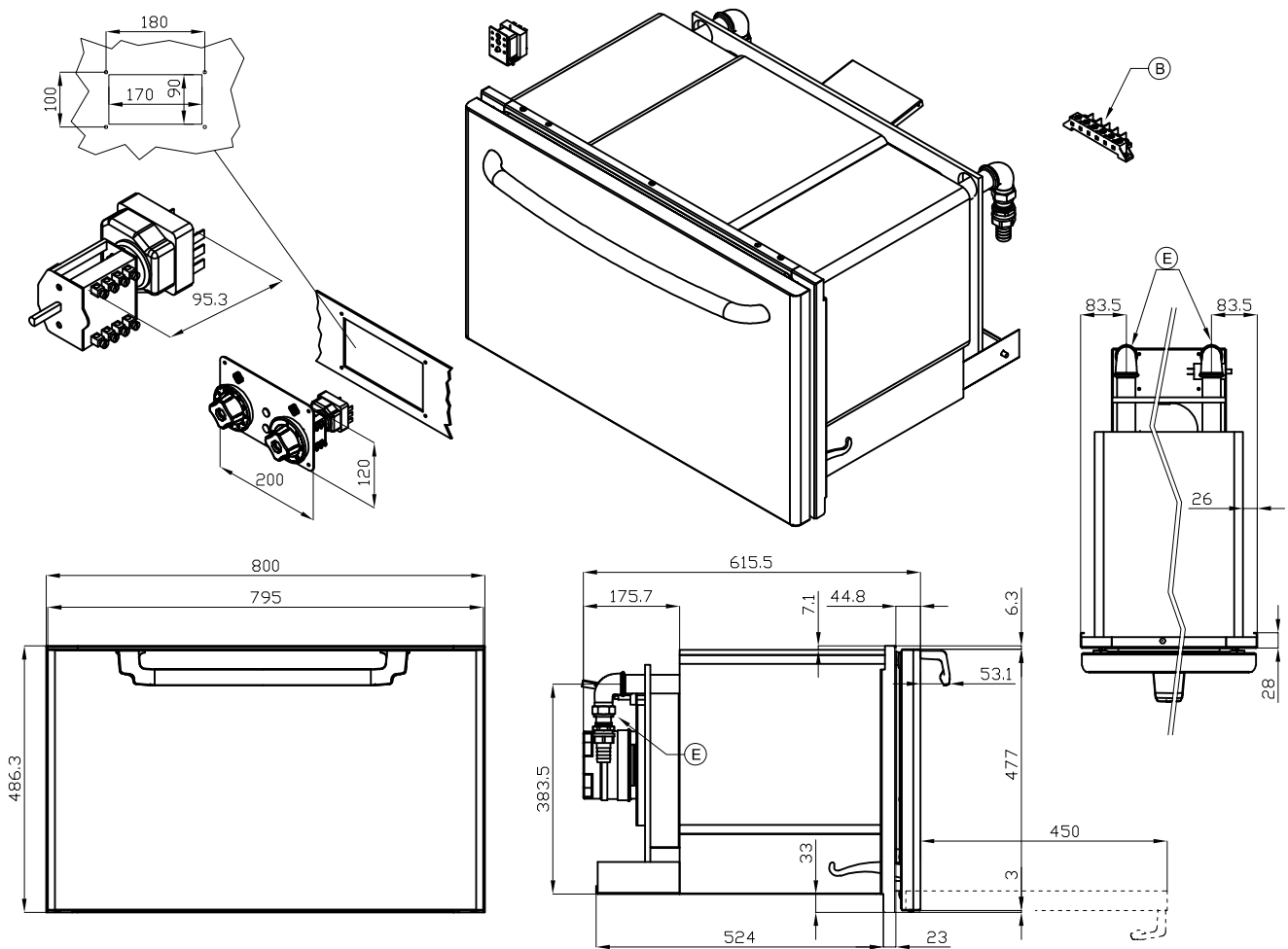
ITALIAN CULINARY ART

The pictures are purely representative. The manufacturer reserves the right to modify the technical data and models without previous notice.

FVD-78ET

ELECTRIC FREELOTUS

ELECTRIC OVENS 70



A	Data plate		B	Electrical connection	
E	Water drainage	(2X)Ø25mm			

MODEL: FVD-78ET
 DIMENSIONS: cm. 80x 61,5x 48,6h
 ELECTRIC POWER: 5,32 kW
 VOLTAGE: 400V~3N / 230V~3
 FREQUENCY: 50/60 Hz



kg: 40
 m³: 0.492
 mm: 830x770x770

BUY LOTUS BUY ITALY

The pictures are purely representative. The manufacturer reserves the right to modify the technical data and models without previous notice.



LOTUS S.P.A. Via Calmaor, 46
 31020 San Vendemiano (TV) - Italy
 Tel. + 39 0438 778020 / 778468
 Fax + 39 0438 778277
 www.lotuscookers.it - lotus@lotuscookers.it