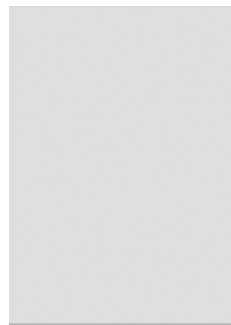
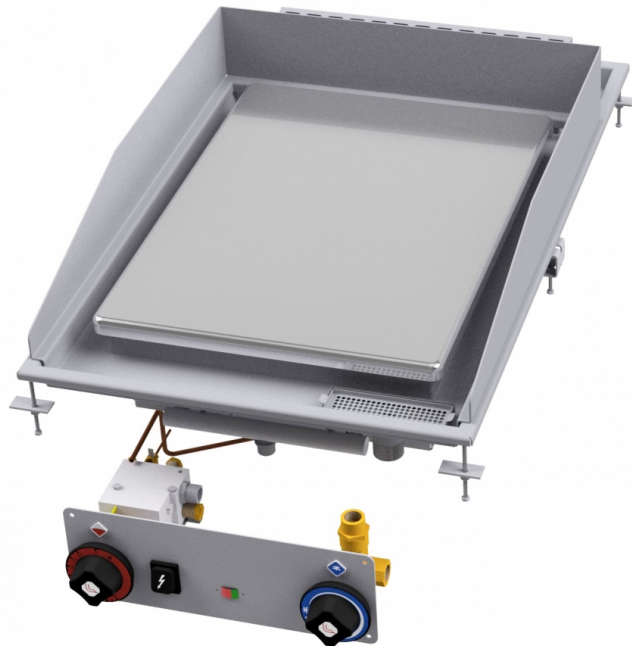


FTLD-95GS

GAS FREELOTUS

GAS GRIDDLE 90

Gas Fry-top smooth chromed griddle
SUPERCHROME (Moca Approved), plate
cm.39x68,5. Electric ignition, flame presence
indicator, floodable perimeter channel, drain
with removable filter.



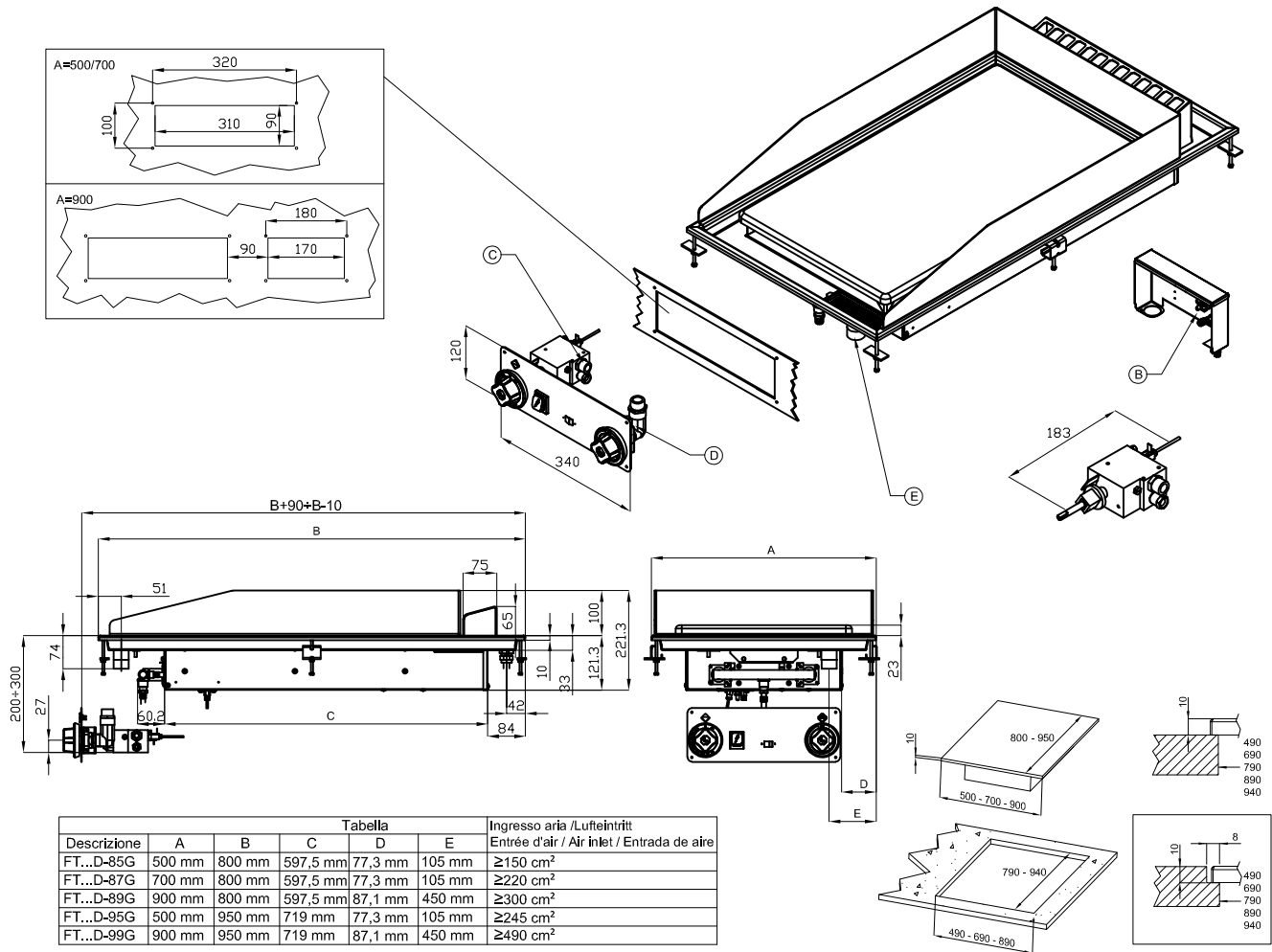
ITALIAN CULINARY ART

The pictures are purely representative. The manufacturer reserves the right to modify the technical data and models without previous notice.

FTLD-95GS

GAS FREELOTUS

GAS GRDDLE 90



A	Data plate		B	Electrical connection	
C	Gas connection	ISO 7-1 1/2" M	D	Cold water connection	ISO 7-1 1/2" F
E	Water drainage	ISO 7-1 1" M			

MODEL: FTLD-95GS
DIMENSIONS: cm. 50x 95x 33h
GAS POWER: 9 kW / 7.7440 kcal/h
GAS TYPE: Natural Gas / LPG
ELECTRIC POWER: 0,01 KW
VOLTAGE: 230V~
FREQUENCY: 50/60 Hz



kg: 61
m³: 0.33
mm: 630x970x540

BUY LOTUS BUY ITALY

The pictures are purely representative. The manufacturer reserves the right to modify the technical data and models without previous notice.



LOTUS S.P.A. Via Calmaor, 46
 31020 San Vendemiano(TV) - Italy
 Tel. + 39 0438 778020 / 778468
 Fax + 39 0438 778277
www.lotuscookers.it - lotus@lotuscookers.it