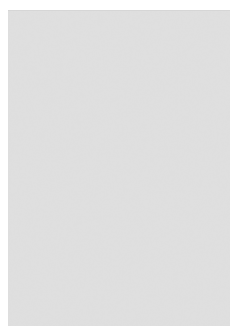


# FTLD-85GS

GAS FREELOTUS

GAS GRIDDLE 80

Gas Fry-top smooth chromed griddle  
SUPERCHROME (Moca Approved), plate  
cm.39x53,5. Electric ignition, flame presence  
indicator, floodable perimeter channel, drain  
with removable filter.



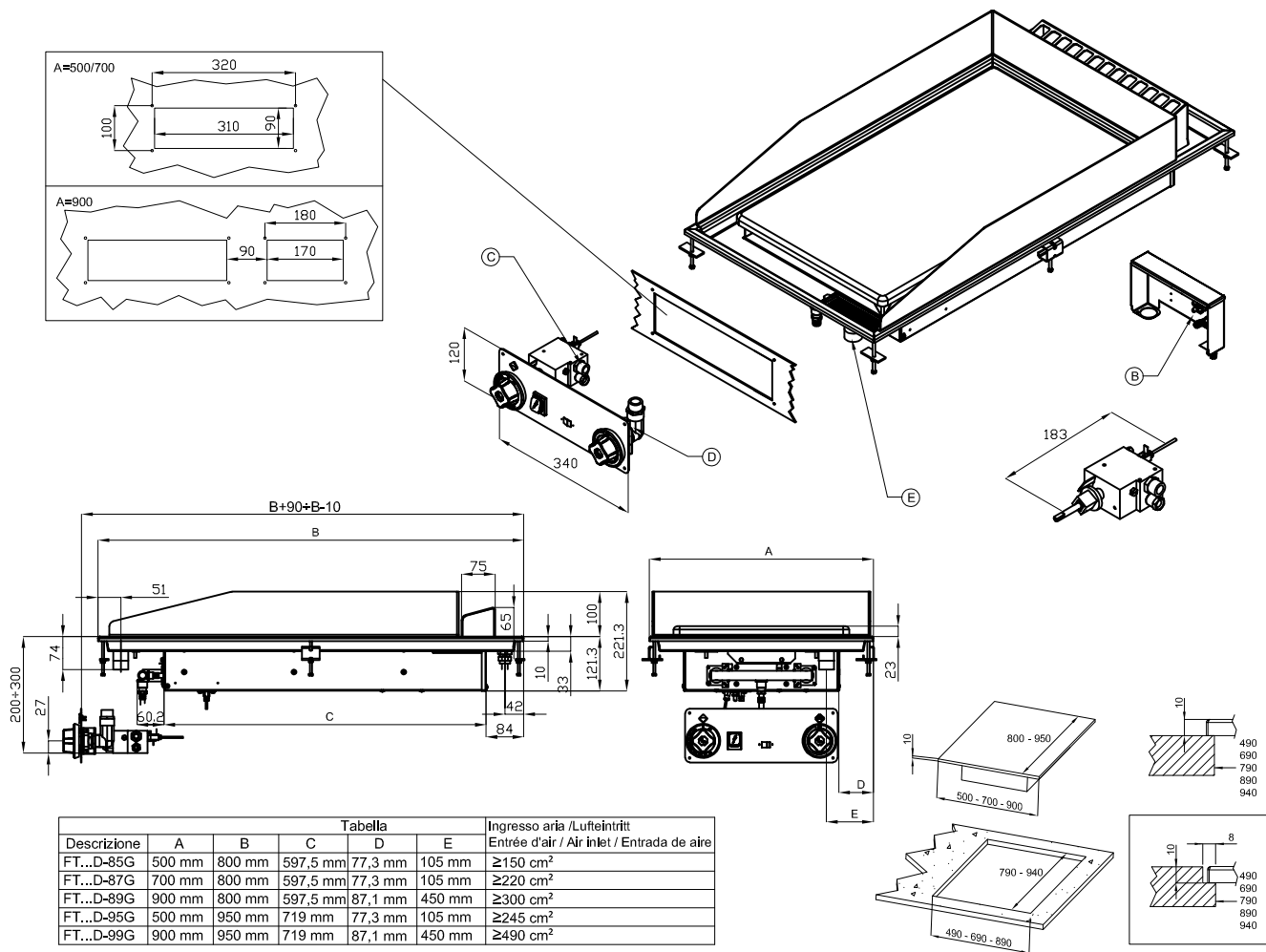
ITALIAN CULINARY ART

The pictures are purely representative. The manufacturer reserves the right to modify the technical data and models without previous notice.

# FTLD-85GS

GAS FREELOTUS

GAS GRIDDLE 80



A	Data plate		B	Electrical connection	
C	Gas connection	ISO 7-1 1/2" M	D	Cold water connection	ISO 7-1 1/2" F
E	Water drainage	ISO 7-1 1" M			

**MODEL:** FTLD-85GS  
**DIMENSIONS:** cm. 50x 80x 33h  
**GAS POWER:** 7 kW / 6.020 kcal/h  
**GAS TYPE:** Natural Gas / LPG  
**ELECTRIC POWER:** 0,01 KW  
**VOLTAGE:** 230V~  
**FREQUENCY:** 50/60 Hz



**kg:** 53  
**m<sup>3</sup>:** 0.33  
**mm:** 630x970x540

BUY LOTUS BUY ITALY

The pictures are purely representative. The manufacturer reserves the right to modify the technical data and models without previous notice.



LOTUS S.P.A. Via Calmaor, 46  
 31020 San Vendemiano(TV) - Italy  
 Tel. + 39 0438 778020 / 778468  
 Fax + 39 0438 778277  
[www.lotuscookers.it](http://www.lotuscookers.it) - [lotus@lotuscookers.it](mailto:lotus@lotuscookers.it)