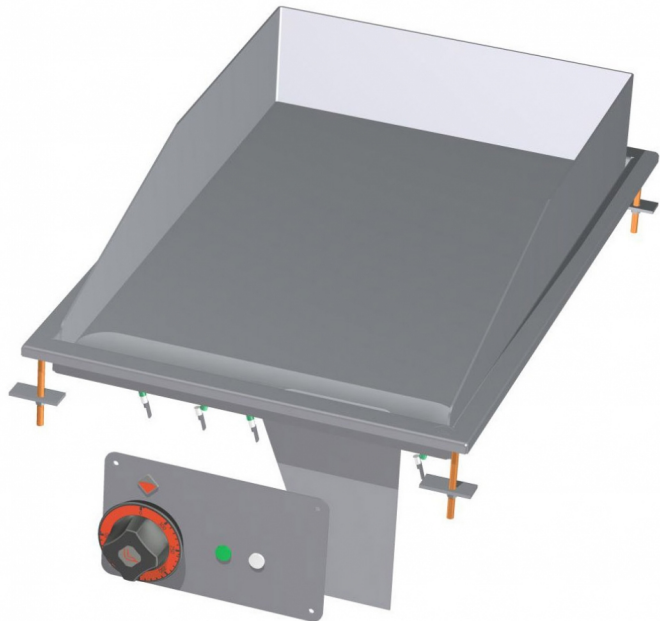


# FTLD-64ET

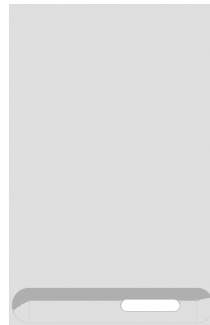
ELECTRIC FREELOTUS

ELECTRIC GRIDDLE 60

Electric Fry-top smooth griddle, plate  
cm.35,5x55



Construction - Fabricated using CrNi 18/10 AISI 304 grade Stainless Steel Scotch-Brite Satin polish Finish, incorporating 2 mm thick worktop, chromed details. Model - Professional Electric Griddle, Smooth, Ribbed or 50 / 50, Normal or Chrome. Normal Plate in FE430B Steel and Chrome in FE510C Steel. Double thermostat, operating and safety. High durability and rapid heat up. 50 - 300degC control. Fittings - Fixing system.



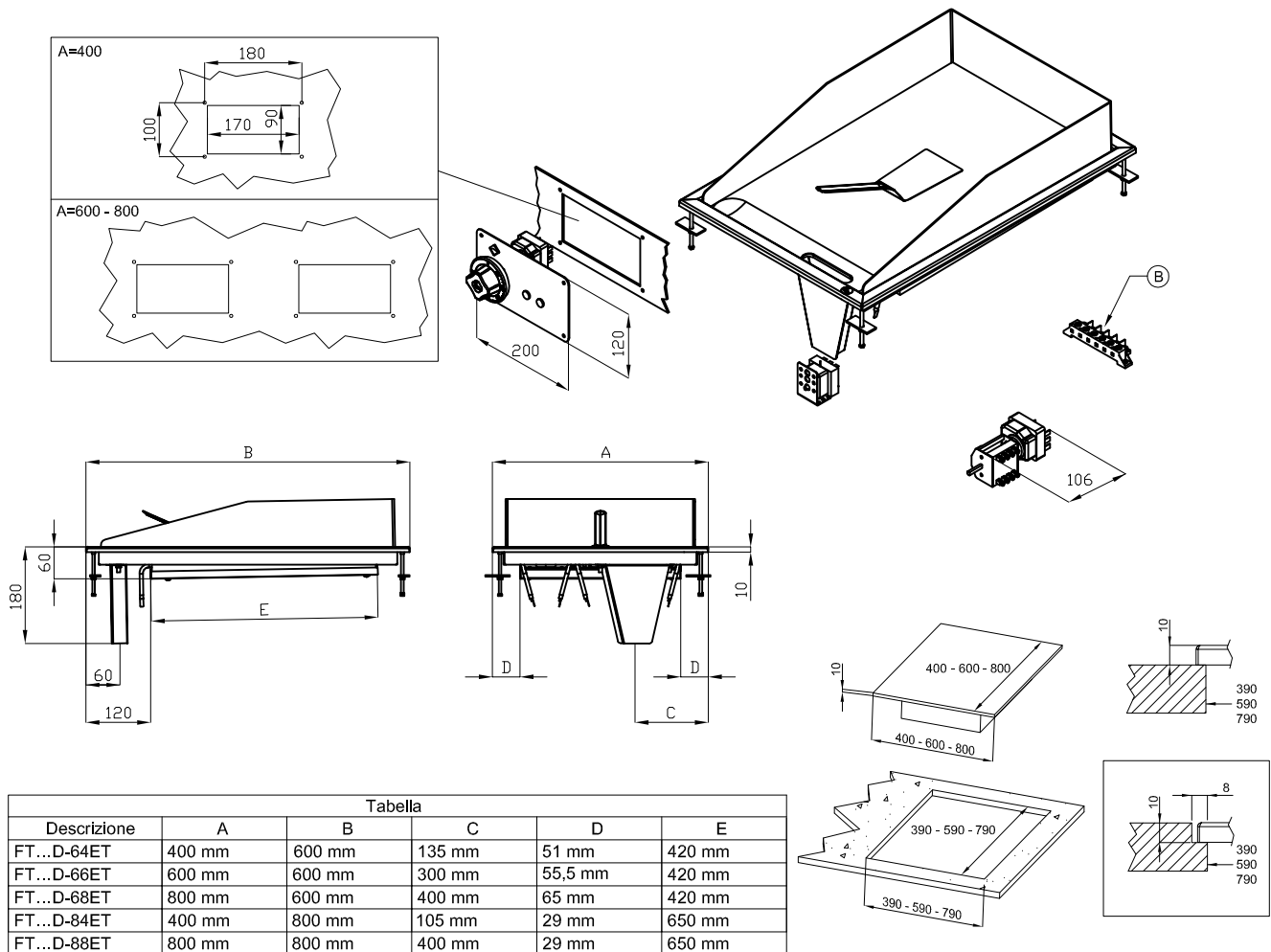
ITALIAN CULINARY ART

The pictures are purely representative. The manufacturer reserves the right to modify the technical data and models without previous notice.

# FTLD-64ET

ELECTRIC FREELOTUS

ELECTRIC GRIDDLE 60



A	Data plate		B	Electrical connection	
---	------------	--	---	-----------------------	--

**MODEL:** FTLD-64ET  
**DIMENSIONS:** cm. 40x 60x 22h  
**ELECTRIC POWER:** 4,5 kW  
**VOLTAGE:** 400V~3N / 230V~3  
**FREQUENCY:** 50/60 Hz



**kg:** 30  
**m<sup>3</sup>:** 0.127  
**mm:** 430x630x470

BUY LOTUS BUY ITALY

The pictures are purely representative. The manufacturer reserves the right to modify the technical data and models without previous notice.



LOTUS S.P.A. Via Calmaor, 46  
 31020 San Vendemiano(TV) - Italy  
 Tel. + 39 0438 778020 / 778468  
 Fax + 39 0438 778277  
 www.lotuscookers.it - lotus@lotuscookers.it