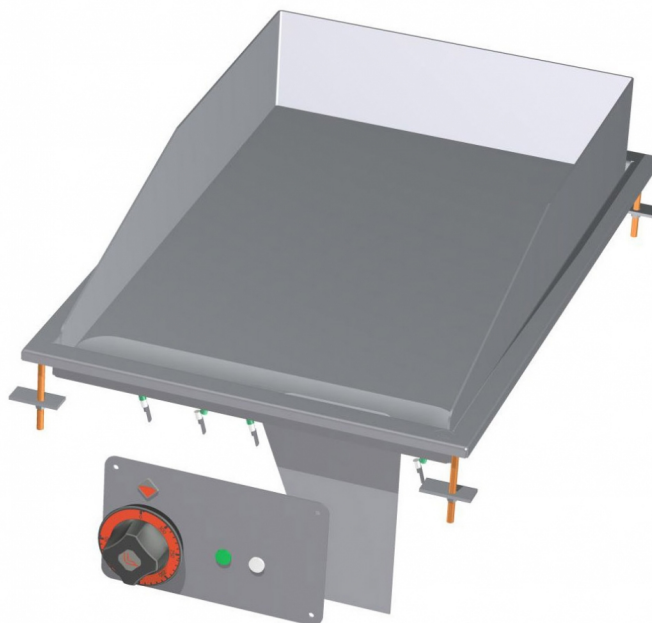


FTLD-64ETS

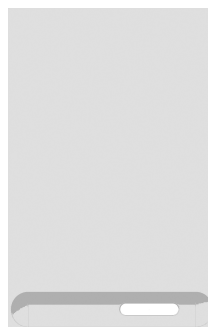
ELECTRIC FREELOTUS

ELECTRIC GRIDDLE 60

Electric Fry-top smooth chromed griddle
SUPERCHROME (Moca Approved), plate
cm.35,5x55



Construction - Fabricated using CrNi 18/10 AISI 304 grade Stainless Steel Scotch-Brite Satin polish Finish, incorporating 2 mm thick worktop, chromed details. Model - Professional Electric Griddle, Smooth, Ribbed or 50 / 50, Normal or Chrome. Normal Plate in FE430B Steel and Chrome in FE510C Steel. Double thermostat, operating and safety. High durability and rapid heat up. 50 - 300degC control. Fittings - Fixing system.



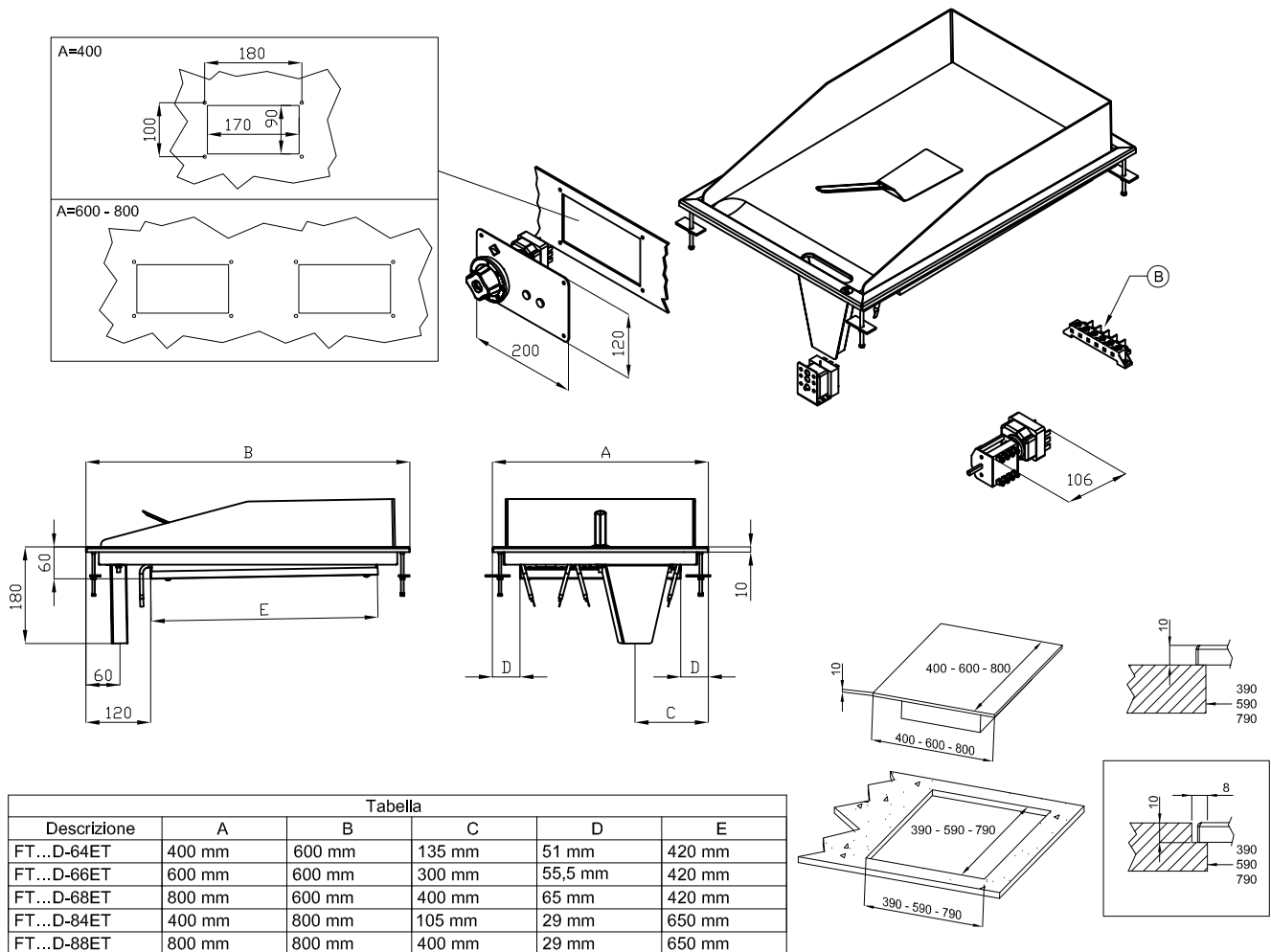
ITALIAN CULINARY ART

The pictures are purely representative. The manufacturer reserves the right to modify the technical data and models without previous notice.

FTLD-64ETS

ELECTRIC FREELOTUS

ELECTRIC GRIDDLE 60



A	Data plate		B	Electrical connection	
---	------------	--	---	-----------------------	--

MODEL: FTLD-64ETS
 DIMENSIONS: cm. 40x 60x 22h
 ELECTRIC POWER: 4,5 kW
 VOLTAGE: 400V~3N / 230V~3
 FREQUENCY: 50/60 Hz



kg: 30
 m³: 0.127
 mm: 430x630x470

BUY LOTUS BUY ITALY

The pictures are purely representative. The manufacturer reserves the right to modify the technical data and models without previous notice.



LOTUS S.P.A. Via Calmaor, 46
 31020 San Vendemiano(TV) - Italy
 Tel. + 39 0438 778020 / 778468
 Fax + 39 0438 778277
 www.lotuscookers.it - lotus@lotuscookers.it