

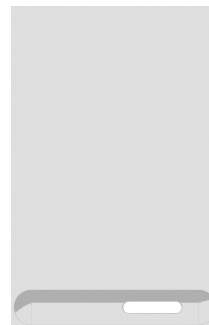
FTL-4EM

65 MAGICPROF ELECTRIC GRIDDLE

Electric Fry-top smooth griddle, plate
cm.35,5x55



Construction - Fabricated using CrNi 18/10 AISI 304 grade Stainless Steel Scotch-Brite Satin polish Finish, incorporating 1mm thick worktop, rounded edges, chromed details and rear splash back. Model - Professional Electric Griddle, Smooth, Ribbed or 50 / 50, Normal or Chrome. Normal Plate in FE430B Steel and Chrome in FE510C Steel. Double thermostat, operating and safety. High durability and rapid heat up. 50 - 300degC control, Removable liquid containers. Maintenance - All serviceable parts are accessible by the easy removal of front control panel. Fittings - Appliance is supplied with adjustable feet.

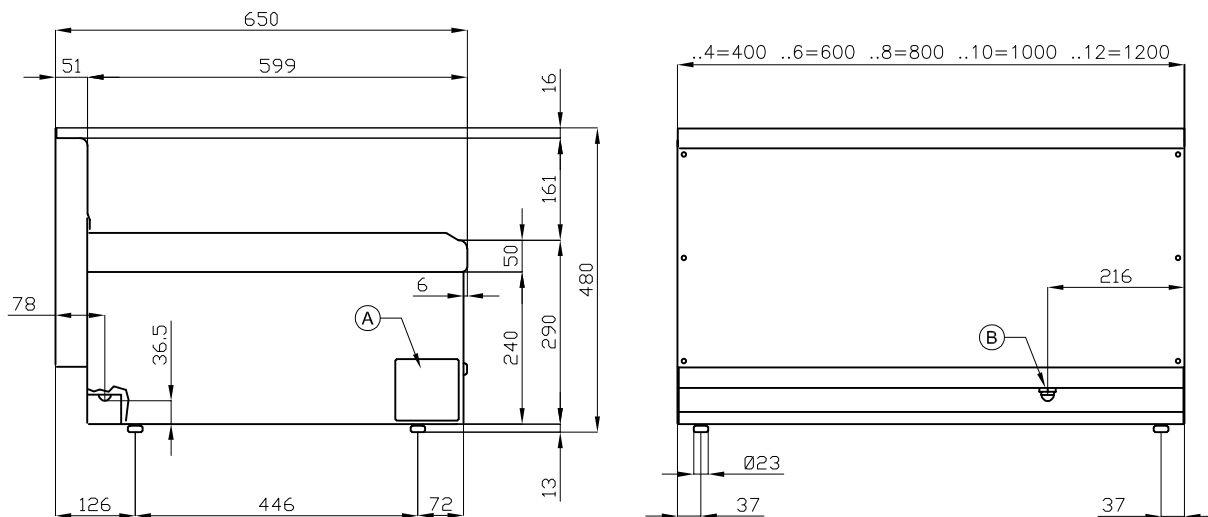


ITALIAN CULINARY ART

The pictures are purely representative. The manufacturer reserves the right to modify the technical data and models without previous notice.

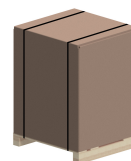
FTL-4EM

65 MAGICPROF
ELECTRIC GRIDDLE



A	Data plate		B	Electrical connection	
---	------------	--	---	-----------------------	--

MODEL: FTL-4EM
 DIMENSIONS: cm. 40x 65x 29h
 ELECTRIC POWER: 3 kW
 VOLTAGE: 230V~
 FREQUENCY: 50/60 Hz



kg: 49
 m³: 0.181
 mm: 430x690x610

BUY LOTUS BUY ITALY

The pictures are purely representative. The manufacturer reserves the right to modify the technical data and models without previous notice.



LOTUS S.P.A. Via Calmaor, 46
 31020 San Vendemiano(TV) - Italy
 Tel. + 39 0438 778020 / 778468
 Fax + 39 0438 778277
 www.lotuscookers.it - lotus@lotuscookers.it