

FSD-98ET

ELECTRIC FREELOTUS

ELECTRIC OVENS 90

Traditional electric oven cm. 67x73x34h,
temp: 50÷300°C, with 1 grid cm.65x71
GN2/1



Construction - Fabricated using CrNi 18/10 AISI 304, chromed details.
Model - Professional electric oven. Traditional oven GN 2/1. Electric oven
with 50 - 300degC control.



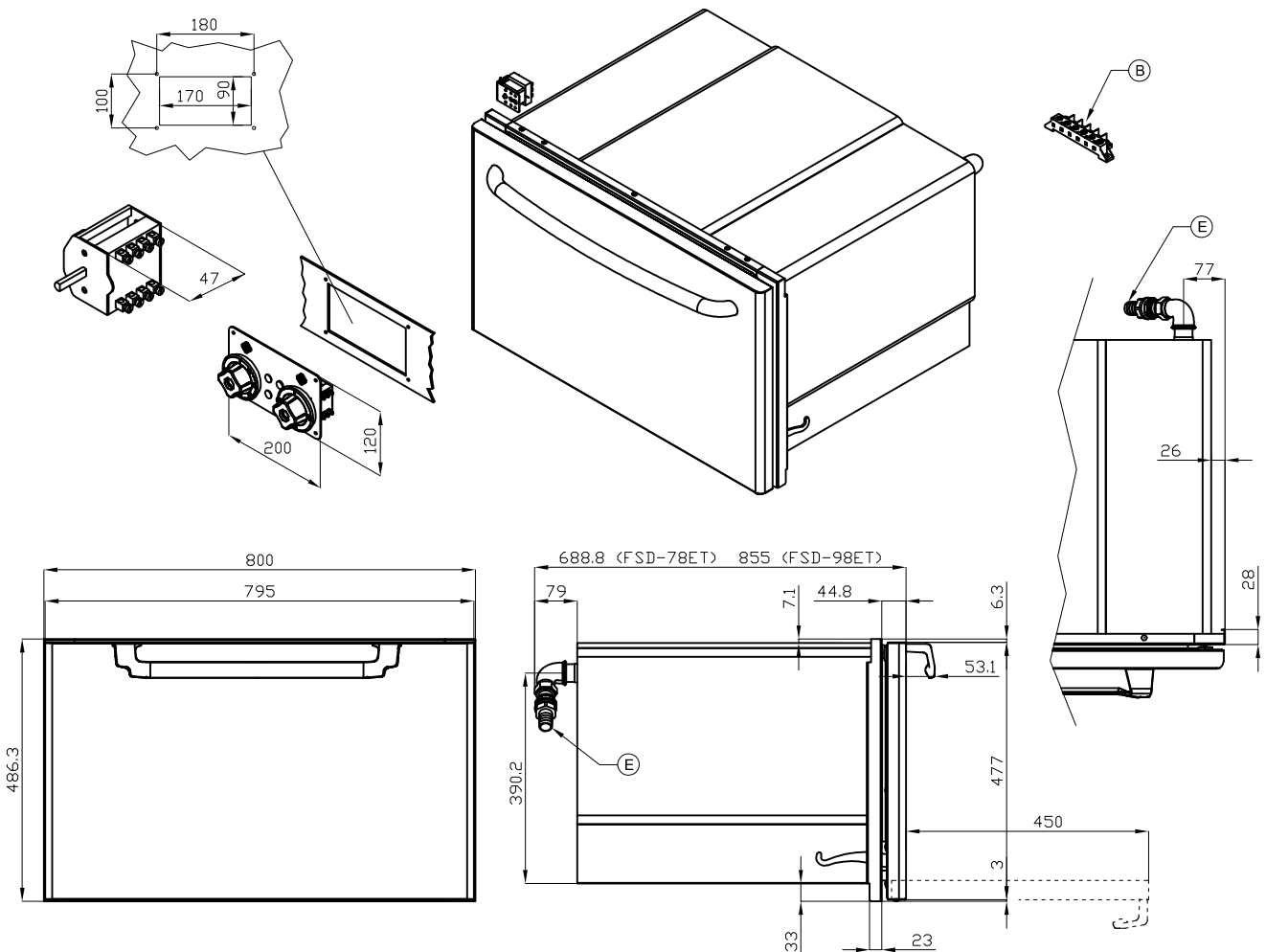
ITALIAN CULINARY ART

The pictures are purely representative. The manufacturer reserves the right to modify the technical data and models without previous notice.

FSD-98ET

ELECTRIC FREELOTUS

ELECTRIC OVENS 90



A	Data plate		B	Electrical connection	
E	Water drainage	Ø25mm			

MODEL: FSD-98ET
 DIMENSIONS: cm. 80x 85,5x 48,6h
 ELECTRIC POWER: 6,7 kW
 VOLTAGE: 400V~3N
 FREQUENCY: 50/60 Hz



kg: 45
 m³: 0.62
 mm: 830x970x770

BUY LOTUS BUY ITALY

The pictures are purely representative. The manufacturer reserves the right to modify the technical data and models without previous notice.



LOTUS S.P.A. Via Calmaor, 46
 31020 San Vendemiano(TV) - Italy
 Tel. + 39 0438 778020 / 778468
 Fax + 39 0438 778277
 www.lotuscookers.it - lotus@lotuscookers.it