

# FSD-78ET

ELECTRIC FREELOTUS

ELECTRIC OVENS 70

Traditional electric oven cm. 67x55x34h,  
temp: 50÷300°C, with 1 grid cm.65x53  
GN2/1



Construction - Fabricated using CrNi 18/10 AISI 304, chromed details.  
Model - Professional electric oven. Fan oven GN 1/1 or Traditional oven  
GN 2/1. Electric oven with 50 - 300degC control.



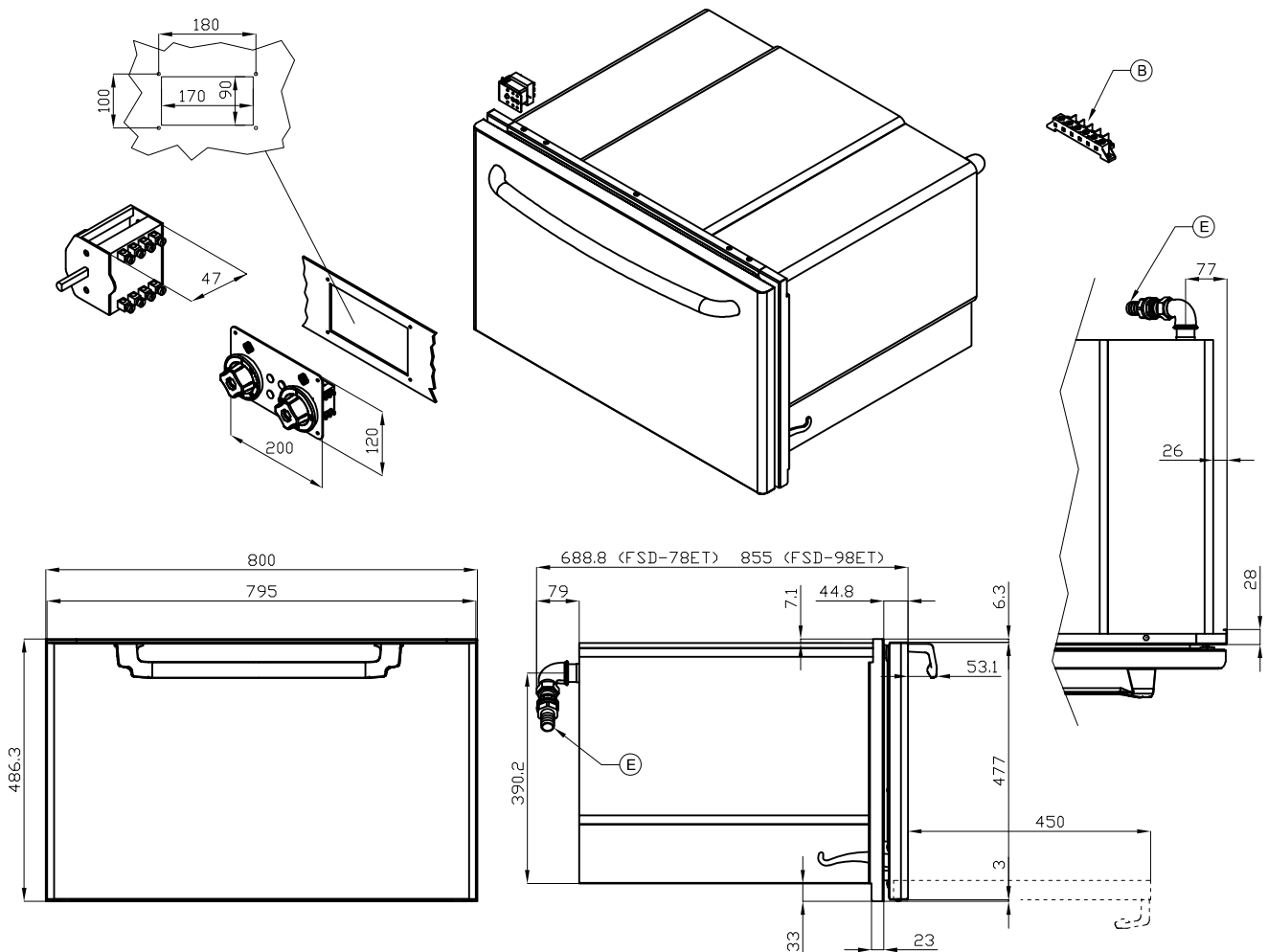
ITALIAN CULINARY ART

The pictures are purely representative. The manufacturer reserves the right to modify the technical data and models without previous notice.

# FSD-78ET

ELECTRIC FREELOTUS

ELECTRIC OVENS 70



A	Data plate		B	Electrical connection	
E	Water drainage	Ø25mm			

MODEL: FSD-78ET  
 DIMENSIONS: cm. 80x 69x 48,6h  
 ELECTRIC POWER: 5 kW  
 VOLTAGE: 400V~3N  
 FREQUENCY: 50/60 Hz



kg: 40  
 m<sup>3</sup>: 0.492  
 mm: 830x770x770

BUY LOTUS BUY ITALY

The pictures are purely representative. The manufacturer reserves the right to modify the technical data and models without previous notice.



LOTUS S.P.A. Via Calmaor, 46  
 31020 San Vendemiano(TV) - Italy  
 Tel. + 39 0438 778020 / 778468  
 Fax + 39 0438 778277  
 www.lotuscookers.it - lotus@lotuscookers.it