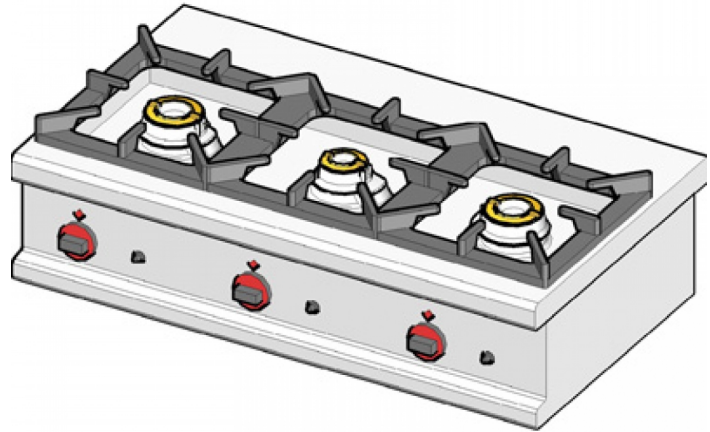


F0-3G

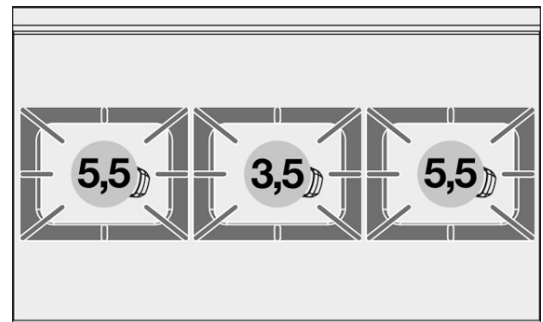
FRYERS

PASTRY COOKING TOP

Gas table-top stove, 3 burners



Construction -Fabricated using CrNi 18/10 AISI 304 grade Stainless Steel Scotch-Brite Satin polish Finish, incorporating 1mm thick worktop, rounded edges and chromed details. Model - Professional Gas Boiling Hob. Thermocouple safety valves. Modulating flame burners, grills in cast iron, removable liquid collectors. Maintenance - All serviceable parts are accessible by the easy removal of front control panel and liquid collectors. Fittings - Appliance is supplied with both LPG and Natural Gas conversion jets and adjustable feet.



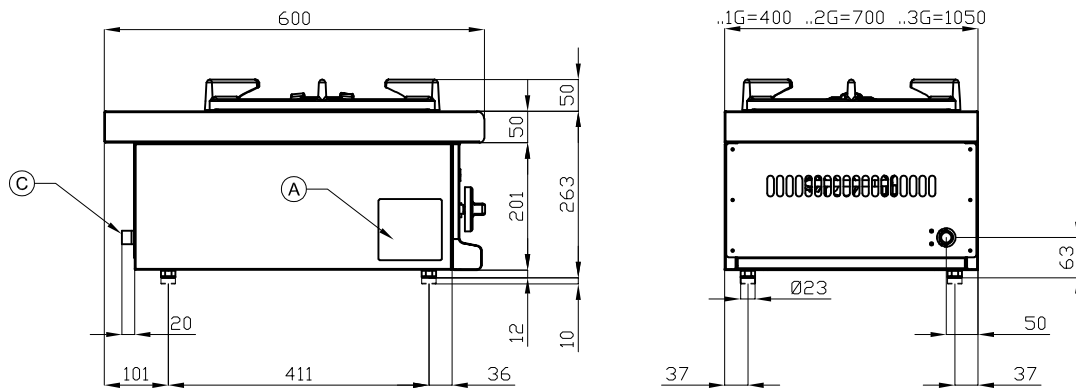
ITALIAN CULINARY ART

The pictures are purely representative. The manufacturer reserves the right to modify the technical data and models without previous notice.

F0-3G

FRYERS

PASTRY COOKING TOP



A	Data plate		C	Gas connection	ISO 7-1 1/2" M
---	------------	--	---	----------------	----------------

MODEL: F0-3G
 DIMENSIONS: cm. 105x 60x 25h
 GAS POWER: 14,5 kW / 12.470 kcal/h
 GAS TYPE: Natural Gas / LPG



kg: 35
 m³: 0.32
 mm: 1080x630x470

BUY LOTUS BUY ITALY

The pictures are purely representative. The manufacturer reserves the right to modify the technical data and models without previous notice.



LOTUS S.P.A. Via Calmaor, 46
 31020 San Vendemiano(TV) - Italy
 Tel. + 39 0438 778020 / 778468
 Fax + 39 0438 778277
 www.lotuscookers.it - lotus@lotuscookers.it