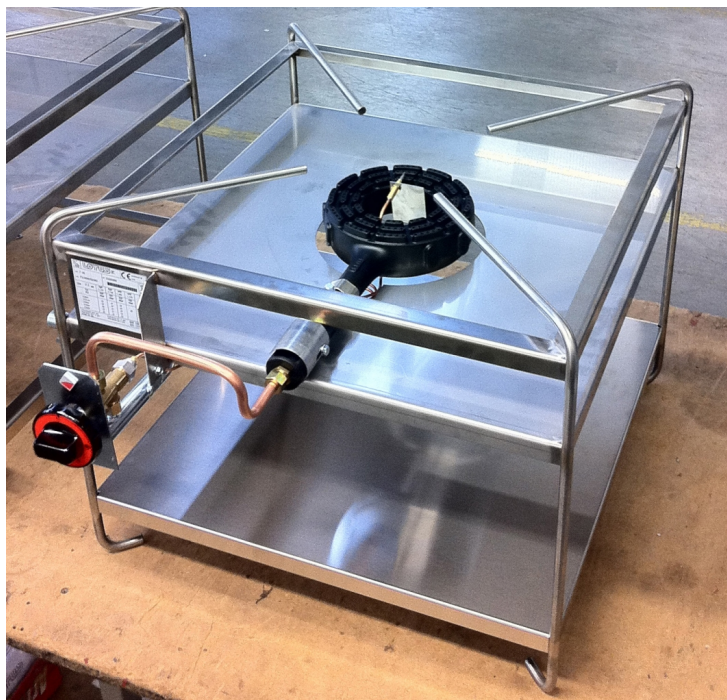


# FB-1G

FRYERS

PASTRY COOKING TOP

Gas stove



Construction - Fabricated using CrNi 18/10 AISI 304 structure. Model - Gas stove. Thermocouple safety valves. Modulating flame burners.  
Fittings - Appliance is supplied with both LPG and Natural Gas conversion jets.



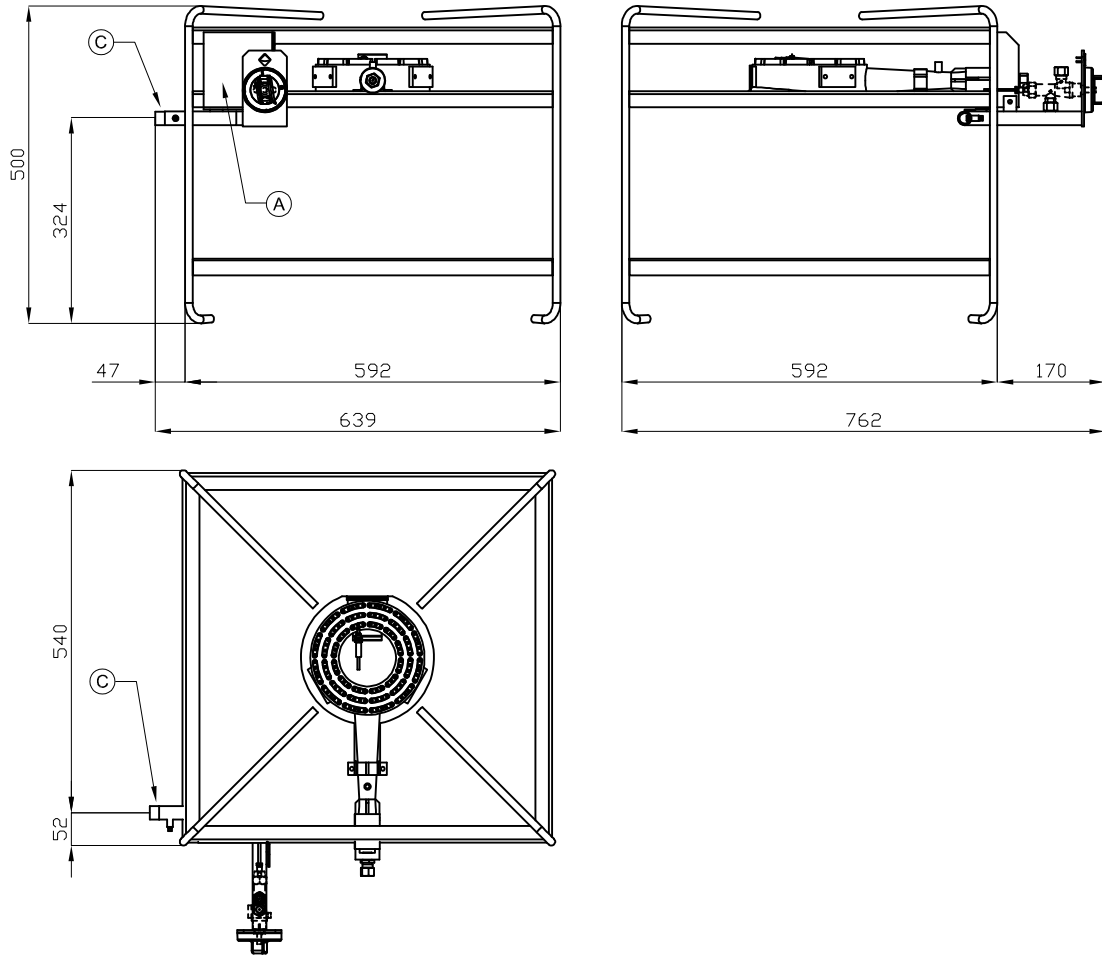
ITALIAN CULINARY ART

The pictures are purely representative. The manufacturer reserves the right to modify the technical data and models without previous notice.

# FB-1G

FRYERS

PASTRY COOKING TOP



A	Data plate		C	Gas connection	ISO 7-1 1/2" M
---	------------	--	---	----------------	----------------

MODEL: FB-1G  
DIMENSIONS: cm. 64x 76x 50h  
GAS POWER: 9,5 kW / 8.170 kcal/h  
GAS TYPE: Natural Gas / LPG



kg: 15  
m<sup>3</sup>: 0.534  
mm: 630x770x1100

BUY LOTUS BUY ITALY

The pictures are purely representative. The manufacturer reserves the right to modify the technical data and models without previous notice.



LOTUS S.P.A. Via Calmaor, 46  
31020 San Vendemiano(TV) - Italy  
Tel. + 39 0438 778020 / 778468  
Fax + 39 0438 778277  
www.lotuscookers.it - lotus@lotuscookers.it