

# F2/8D-64ET

ELECTRIC FREELOTUS

ELECTRIC FRYERS 60

Fryer threephase 8+8 lts - 2 Bowls cm.  
14,8x35x32,7h - 2 baskets cm. 12x30x15h.  
Sieve and lid for pan. Production: 12 kg/h



Construction - Fabricated using CrNi 18/10 AISI 304 grade Stainless Steel Scotch-Brite Satin polish Finish, incorporating 2 mm thick worktop, chromed details. Model - Professional Electric Fryer. With single or Double tank to include both basket and lids, tank filter with basket support. Double Thermostat for operating and over heat safety. Maintenance - Easy tank cleaning by rotating heating element. Fittings - Fixing system.



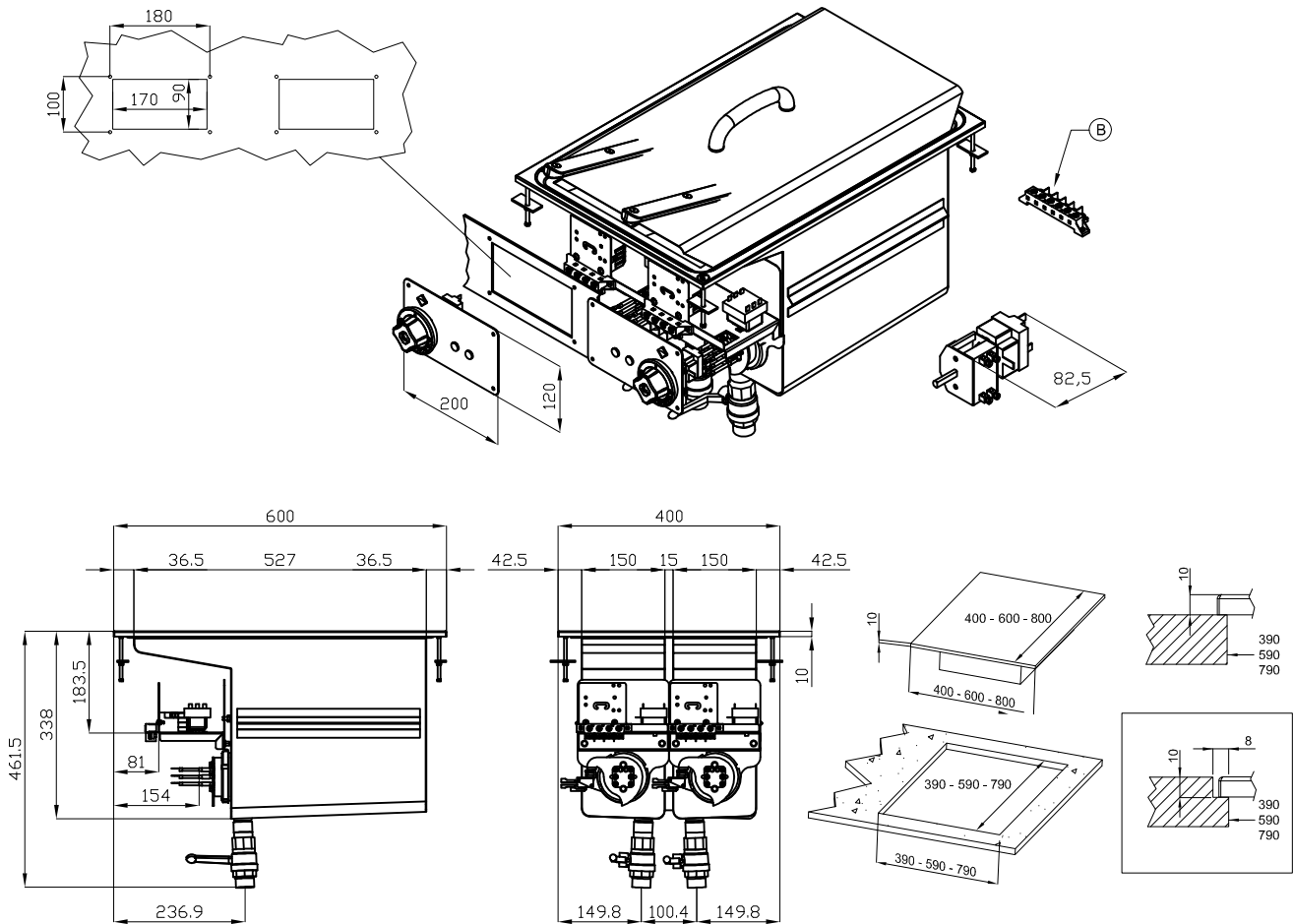
ITALIAN CULINARY ART

The pictures are purely representative. The manufacturer reserves the right to modify the technical data and models without previous notice.

# F2/8D-64ET

ELECTRIC FREELOTUS

ELECTRIC FRYERS 60



A	Data plate	B	Electrical connection
---	------------	---	-----------------------

MODEL: F2/8D-64ET  
 DIMENSIONS: cm. 40x 60x 46h  
 ELECTRIC POWER: 12 kW  
 VOLTAGE: 400V~3N / 230V~3  
 FREQUENCY: 50/60 Hz



kg: 30  
 m<sup>3</sup>: 0.232  
 mm: 540x670x640

BUY LOTUS BUY ITALY

The pictures are purely representative. The manufacturer reserves the right to modify the technical data and models without previous notice.



LOTUS S.P.A. Via Calmaor, 46  
 31020 San Vendemiano(TV) - Italy  
 Tel. + 39 0438 778020 / 778468  
 Fax + 39 0438 778277  
 www.lotuscookers.it - lotus@lotuscookers.it