

F25-94G

90

GAS FRYERS

Gas fryer 25 lts - Pan cm. 31x51x44h 2
baskets cm. 13,5x45x15h - Lid for tank
Production: 25 kg/h. (Drip tray excluded, see
mod: BF30) (included 1 Head end filler strip
mod.TPA-9)



Construction - Fabricated using CrNi 18/10 AISI 304 grade Stainless Steel Scotch-Brite Satin polish Finish, incorporating 2mm thick worktop, rounded edges, chromed details and rear splash back. Knobs with waterproof grades IPX5. Model - Professional Gas Fryer on cabinet. With single or Double tank to include both basket and lids, tank filter with basket support. Burners with electric ignition and pilot light (piezoelectric ignition for F2/8), thermostatic and thermocouple safety valves. Maintenance - All serviceable parts are accessible by the easy removal of front control panel. Fittings - Appliance is supplied with both LPG and Natural Gas conversion jets and adjustable feet.



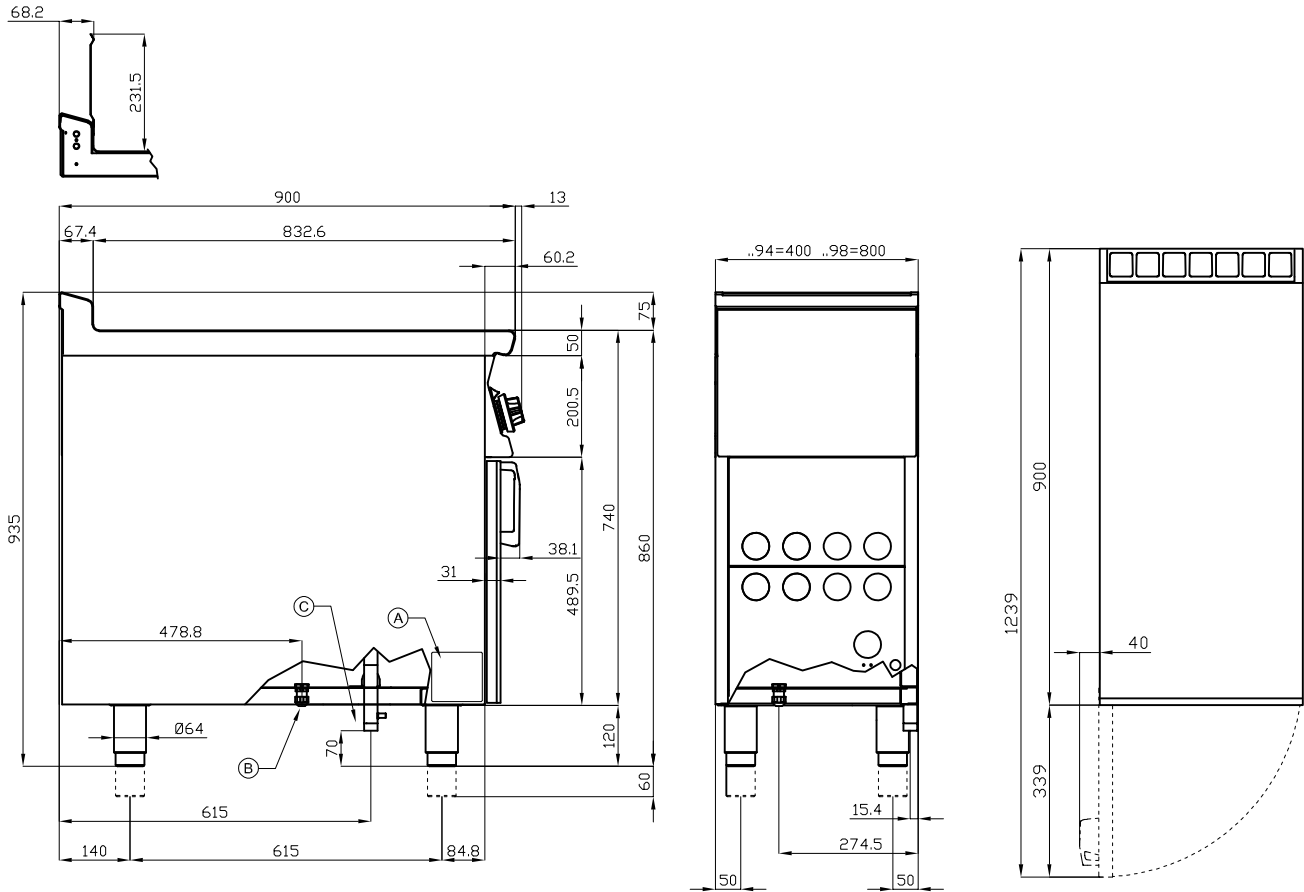
ITALIAN CULINARY ART

The pictures are purely representative. The manufacturer reserves the right to modify the technical data and models without previous notice.

F25-94G

90

GAS FRYERS



A	Data plate		B	Electrical connection	
C	Gas connection	ISO 7-1 3/4" M			

MODEL: F25-94G
DIMENSIONS: cm. 40x 90x 90h
GAS POWER: 20 kW / 17.200 kcal/h
GAS TYPE: Natural Gas / LPG
ELECTRIC POWER: 0,005 kW
VOLTAGE: 230V~
FREQUENCY: 50 Hz



kg: 75
m³: 0.463
mm: 430x970x1110

BUY LOTUS BUY ITALY

The pictures are purely representative. The manufacturer reserves the right to modify the technical data and models without previous notice.



LOTUS S.P.A. Via Calmaor, 46
 31020 San Vendemiano(TV) - Italy
 Tel. + 39 0438 778020 / 778468
 Fax + 39 0438 778277
www.lotuscookers.it - lotus@lotuscookers.it