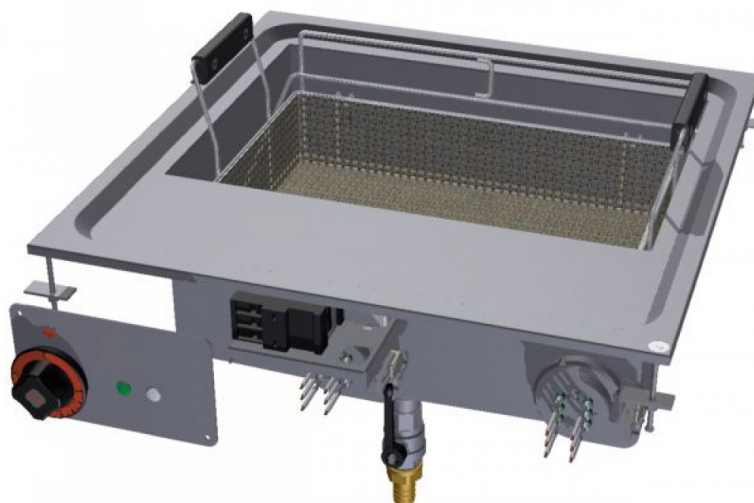


F23D-66ET

ELECTRIC FREELOTUS

ELECTRIC FRYERS 60

Fryer threephase 23 lts - Bowls cm.
50x35x24h - Basket cm. 46x30x10h - Sieve
and lid for pan.



Construction - Fabricated using CrNi 18/10 AISI 304 grade Stainless Steel Scotch-Brite Satin polish Finish, incorporating 2 mm thick worktop, chromed details. Model - Professional Electric Fryer. With single or Double tank to include both basket and lids, tank filter with basket support. Double Thermostat for operating and over heat safety.

Maintenance - Easy tank cleaning by rotating heating element. Fittings - Fixing system.



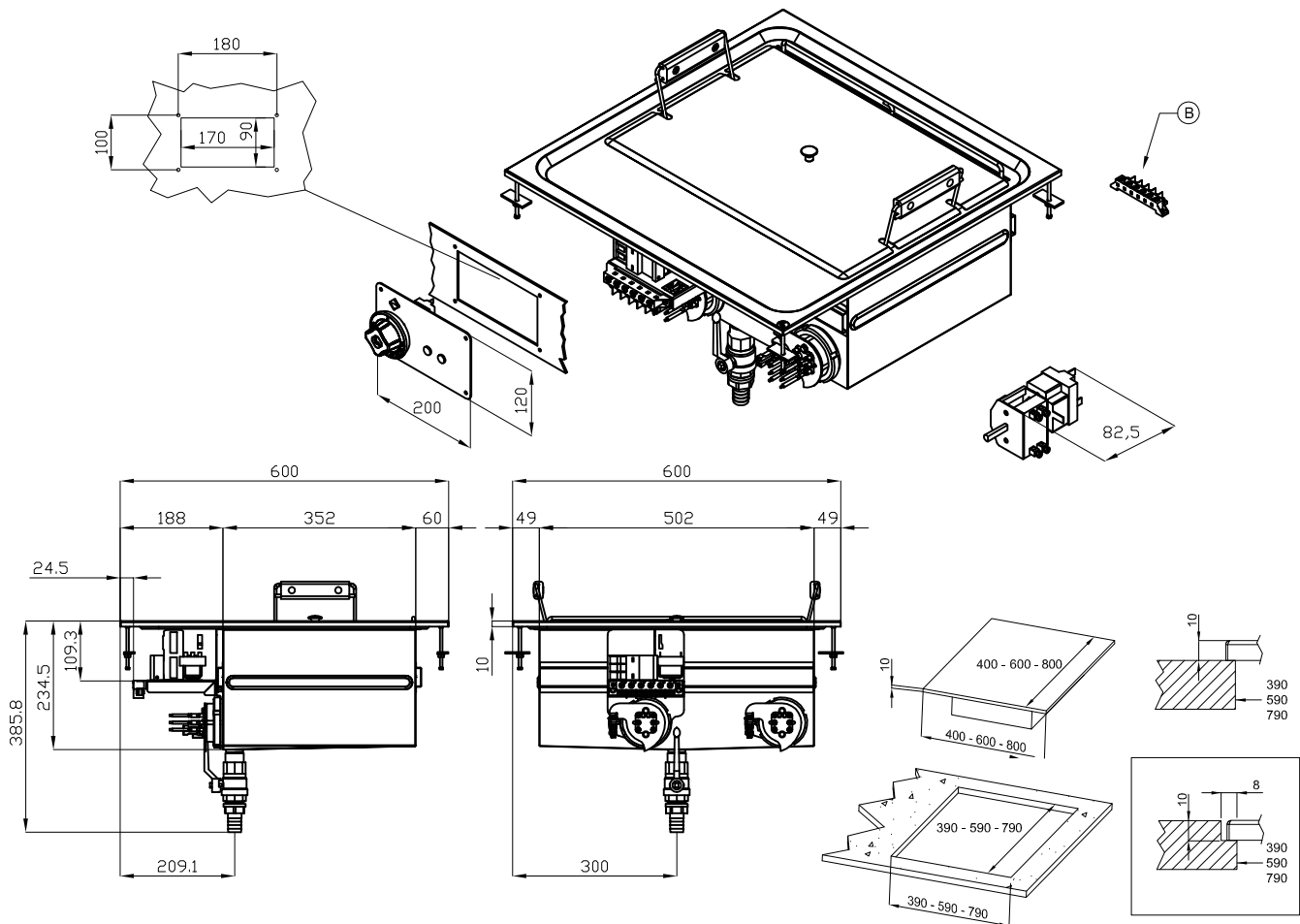
ITALIAN CULINARY ART

The pictures are purely representative. The manufacturer reserves the right to modify the technical data and models without previous notice.

F23D-66ET

ELECTRIC FREELOTUS

ELECTRIC FRYERS 60



A	Data plate	B	Electrical connection
---	------------	---	-----------------------

MODEL: F23D-66ET
 DIMENSIONS: cm. 60x 60x 39h
 ELECTRIC POWER: 14,3 kW
 VOLTAGE: 400V~3N
 FREQUENCY: 50/60 Hz



kg: 31
 m³: 0.265
 mm: 630x690x610

BUY LOTUS BUY ITALY

The pictures are purely representative. The manufacturer reserves the right to modify the technical data and models without previous notice.



LOTUS S.P.A. Via Calmaor, 46
 31020 San Vendemiano(TV) - Italy
 Tel. + 39 0438 778020 / 778468
 Fax + 39 0438 778277
 www.lotuscookers.it - lotus@lotuscookers.it