

F18-94ETD

90

ELECTRIC ELECTRONIC FRYER

Electric electronic Fryer with a 7" TouchScreen. Conservation at 110 °C and preworking at 160 °C with or without Melting. Possibility to store in the memory up to 100 programs. Oil presence sensor and maximum level sensor. Bowl 18 lts cm.31x34x33h - 2 baskets cm.13,5x29x15h. Sieve and lid for pan. Oil collection basin with support on wheels. Production: 27 kg/h (included 1 Head end filler strip mod.TPA-9)



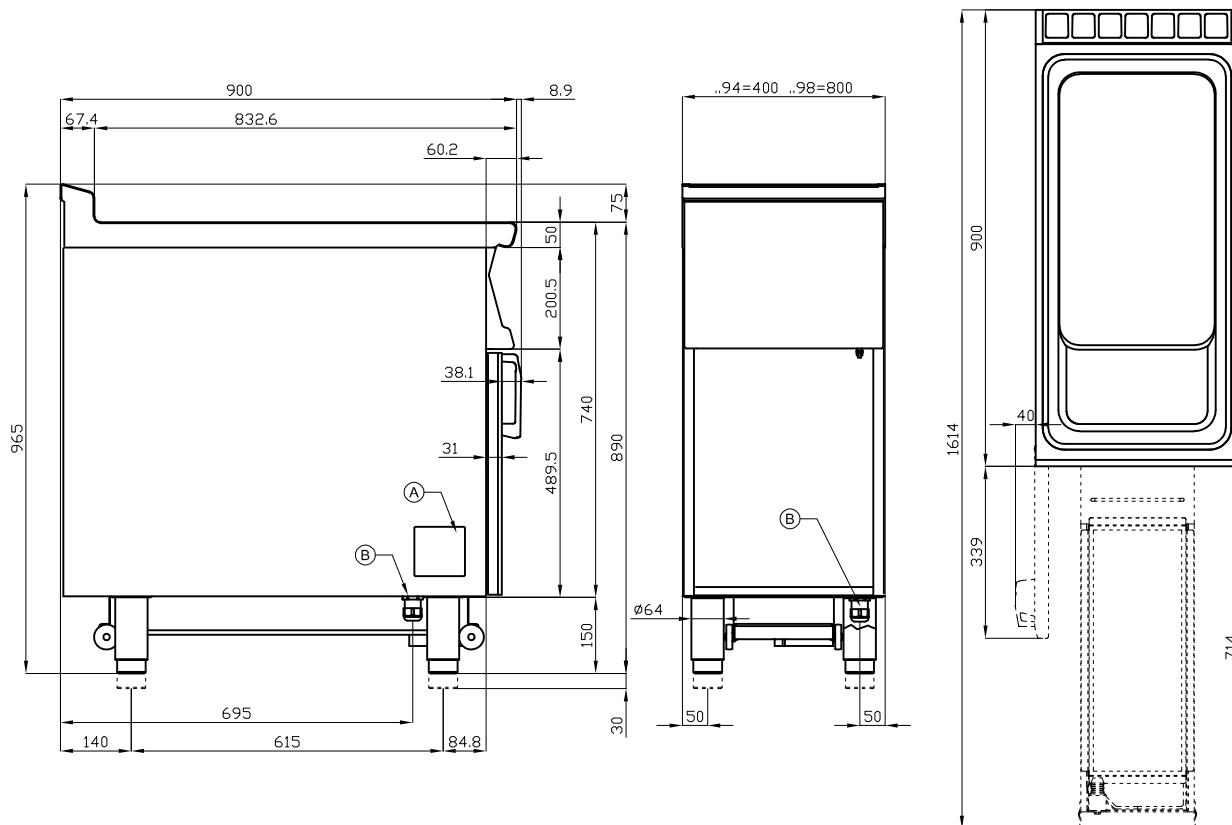
ITALIAN CULINARY ART

The pictures are purely representative. The manufacturer reserves the right to modify the technical data and models without previous notice.

F18-94ETD

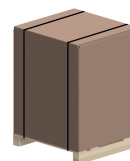
90

ELECTRIC ELECTRONIC FRYER



A	Data plate	B	Electrical connection
---	------------	---	-----------------------

MODEL: F18-94ETD
DIMENSIONS: cm. 40x 90x 90h
ELECTRIC POWER: 15,95 kW
VOLTAGE: 400V~3N
FREQUENCY: 50/60 Hz



kg: 69
m³: 0.542
mm: 430x970x1300

BUY LOTUS BUY ITALY

The pictures are purely representative. The manufacturer reserves the right to modify the technical data and models without previous notice.



LOTUS S.P.A. Via Calmaor, 46
 31020 San Vendemiano(TV) - Italy
 Tel. + 39 0438 778020 / 778468
 Fax + 39 0438 778277
 www.lotuscookers.it - lotus@lotuscookers.it