

F13-64ET

60 MAGICLOTUS ELECTRIC FRYERS



Fryer threephase 13 lts - Bowl cm.
24x35x32h - 1 basket cm. 21x30x12h. Sieve
and lid for pan. - Drip tray with sieve.
Production: 10 kg/h



Construction - Fabricated using CrNi 18/10 AISI 304 grade Stainless Steel Scotch-Brite Satin polish Finish, incorporating 1mm thick worktop, rounded edges, chromed details and rear splash back. Knobs with waterproof grades IPX5. Model - Professional Electric Fryer on cabinet. With single tank to include both basket and lids, tank filter with basket support. Double Thermostat for operating and over heat safety.
Maintenance - All serviceable parts are accessible by the easy removal of front control panel. Easy tank cleaning by rotating heating element.
Fittings - Appliance is supplied with adjustable feet. Oil filter drain pan included.

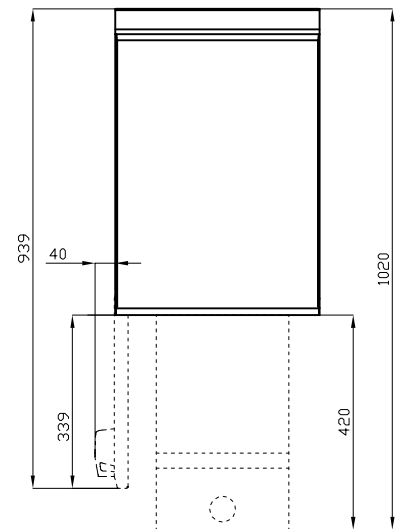
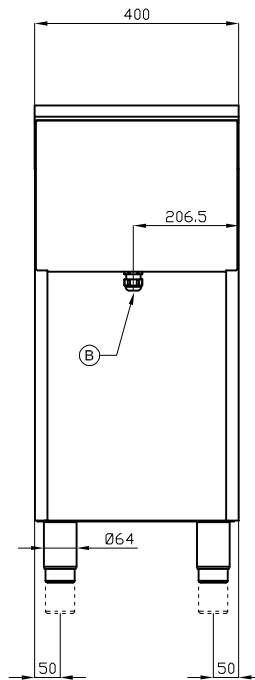
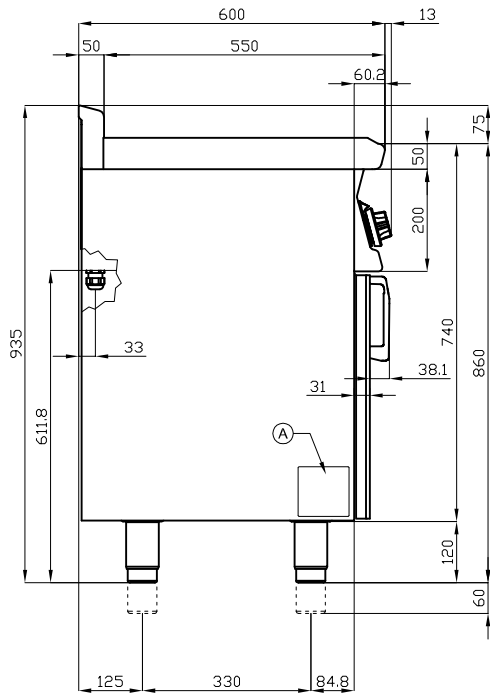


ITALIAN CULINARY ART

The pictures are purely representative. The manufacturer reserves the right to modify the technical data and models without previous notice.

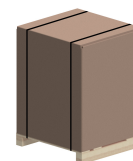
F13-64ET

60 MAGICLOTUS
ELECTRIC FRYERS



A	Data plate	B	Electrical connection
---	------------	---	-----------------------

MODEL: F13-64ET
 DIMENSIONS: cm. 40x 60x 90h
 ELECTRIC POWER: 10,95 kW
 VOLTAGE: 400V~3N
 FREQUENCY: 50/60 Hz



kg: 52
 m³: 0.368
 mm: 430x770x1110

BUY LOTUS BUY ITALY

The pictures are purely representative. The manufacturer reserves the right to modify the technical data and models without previous notice.



LOTUS S.P.A. Via Calmaor, 46
 31020 San Vendemiano(TV) - Italy
 Tel. + 39 0438 778020 / 778468
 Fax + 39 0438 778277
 www.lotuscookers.it - lotus@lotuscookers.it