

# F10T-63ET

60 MAGICLOTUS

ELECTRIC FRYERS - TOP



Fryer threephase - Tank capacity 10 Lst. cm.  
22x35x23h - Sieve and lid for pan - Basket  
cm. 20x30x10h - Production 10 kg/hr



**Construction** - Fabricated using CrNi 18/10 AISI 304 grade Stainless Steel Scotch-Brite Satin polish Finish, incorporating 1mm thick worktop, rounded edges, chromed details and rear splash back. Knobs with waterproof grades IPX5. **Model** - Professional Electric Fryer. With single or Double tank to include both basket and lids, tank filter with basket support. Double Thermostat for operating and over heat safety. Front oil drain. **Maintenance** - All serviceable parts are accessible by the easy removal of front control panel. Easy tank cleaning by rotating heating element. **Fittings** - Appliance is supplied with adjustable feet.



ITALIAN CULINARY ART

The pictures are purely representative. The manufacturer reserves the right to modify the technical data and models without previous notice.

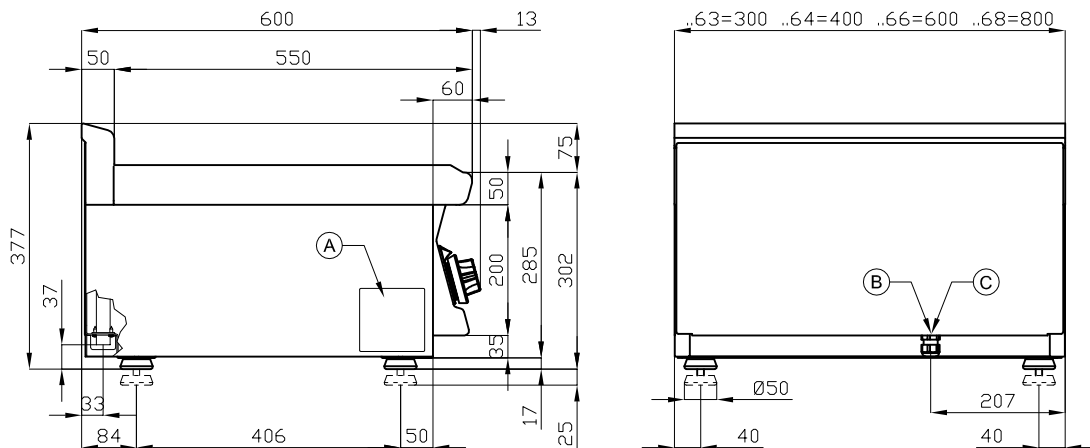
# F10T-63ET

60 MAGICLOTUS

ELECTRIC FRYERS - TOP

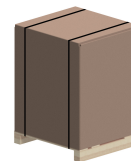


View 3D



A	Data plate		B	Electrical connection	
---	------------	--	---	-----------------------	--

MODEL: F10T-63ET  
DIMENSIONS: cm. 30x 60x 28h  
ELECTRIC POWER: 7,15 kW  
VOLTAGE: 400V~3N  
FREQUENCY: 50/60 Hz



kg: 21  
m<sup>3</sup>: 0.148  
mm: 330x690x650

BUY LOTUS BUY ITALY

The pictures are purely representative. The manufacturer reserves the right to modify the technical data and models without previous notice.



LOTUS S.P.A. Via Calmaor, 46  
31020 San Vendemiano(TV) - Italy  
Tel. + 39 0438 778020 / 778468  
Fax + 39 0438 778277  
www.lotuscookers.it - lotus@lotuscookers.it