



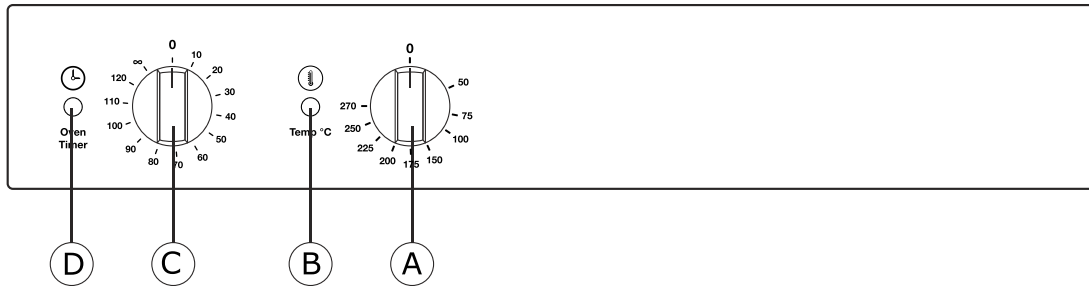
DESCRIPTION	
	Capacity: 4 x 46x34
	Trays insertion: Crosswise
	Dimensions: 585 x 655 x H 570 mm
	Control panel: Analogic
	Cooking chamber heating: Electric
	Steam generation: --
	2 Fans
	1 Side rotation

**COOKING MODES AND FUNCTIONING**

	<b>Convection mode</b>	Temperature range between 50 °C and 270 °C

**CONTROL PANEL DESCRIPTION**

<b>A</b>	Cooking chamber thermostat
<b>B</b>	Heating cooking chamber ON pilot light
<b>C</b>	Timer
<b>D</b>	Timer ON pilot light



**MANUFACTURING FEATURES**

- Heating system located on the back side of the cooking chamber;
- Waterproof cooking chamber in stainless steel AISI 430;
- Cooking chamber with external welding;
- External covering panels made of satin stainless steel AISI 430;
- Base chassis made of stainless steel AISI 430;
- Heating elements made of stainless steel Incoloy 800;
- Thermal insulation of the cooking chamber in ceramics fibre;
- Cooking chamber fans made of stainless steel;

**OPTIONAL ACCESSORIES**

Code	Description
<b>S 33G8</b>	Stand
<b>CRGR 33G8</b>	Tray slides kit

Code	Description

**DIMENSIONS**

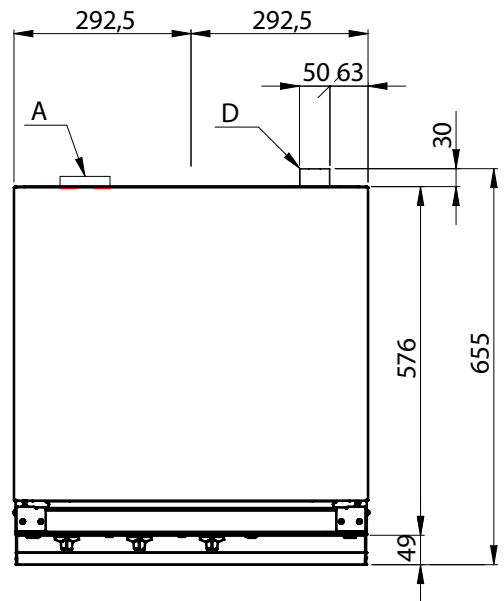
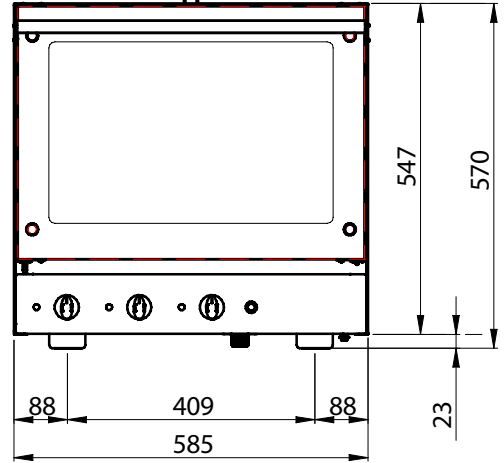
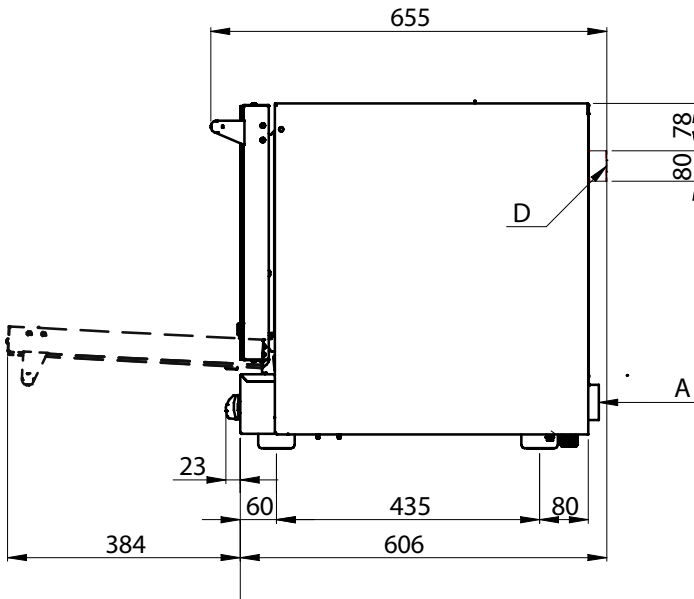
	<b>OVEN</b>	<b>PACKAGE</b>
<b>Width</b>	585 mm	620 mm
<b>Depth (with door handle)</b>	655 mm	690 mm
<b>Height</b>	570 mm	760 mm
<b>Weight/volume</b>		41 kg / 0.33 m <sup>3</sup>

**POWER SUPPLY**

<b>Modello</b>	<b>ER404-CAEP</b>
<b>Potenza installata</b>	3,2 kW
<b>Potenza camera cottura</b>	3,1 kW
<b>Potenza grill</b>	--
<b>Potenza motori</b>	n° 2 x 55 W
<b>Potenza max. assorbita</b>	3,2 kW
<b>Tensione di alimentazione</b>	220-240 V N1 ~ 50/60 Hz
<b>Assorbimento</b>	5,5 A
<b>Sezione cavo elettrico</b>	Electric cable included
<b>Capacità</b>	4 x 2/3 GN
<b>Distanza tra le teglie</b>	70 mm

**WATER SUPPLY**

<b>Water supply coupling</b>	--
<b>Water pressure</b>	--
<b>Water hardness</b>	--
<b>Water conductivity</b>	--
<b>Chlorine concentr. Cl2</b>	--
<b>Chloride concentration</b>	--
<b>Water drain coupling</b>	--



- A Electrical cables connection
- D Cooking chamber release valve