



DESCRIPTION	
	Capacity: 4 x 60x40 - GN 1/1
	Trays insertion: Crosswise
	Dimensions: 725 x 715 x H 605 mm
	Control panel: Programmable
	Cooking chamber heating: Electric
	Steam generation: direct system
	2 Fans
	1 Side rotation

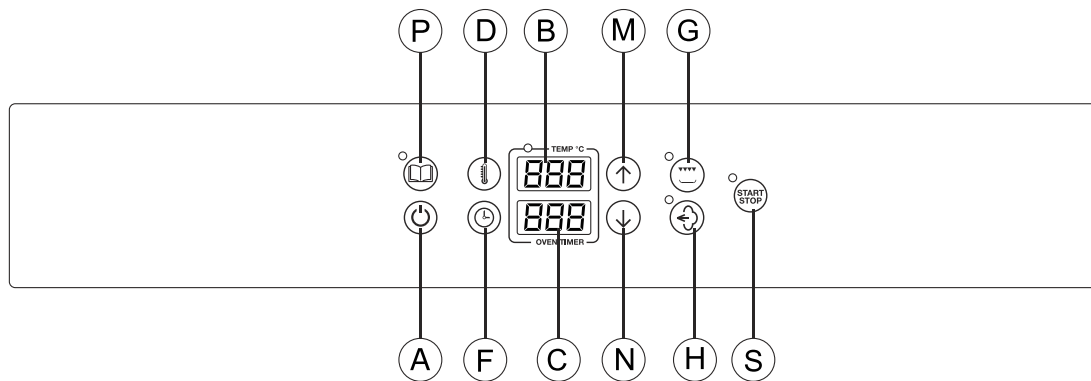
COOKING MODES AND FUNCTIONING

	Convection mode	Temperature range between 50 °C and 270 °C
	Manual humidification	
	Salamander	Electric grill with timer
	Automatic programs	99 Automatic programs

CONTROL PANEL DESCRIPTION

A	ON/OFF button
B	Temperature display
C	Time display
D	Cooking chamber temperature selection
F	Time selection
G	Grill activation

H	Humidification selection
M	Increase value button
N	Reduce value button
P	Automatic programs
S	Start/stop button
T	Program's phases


MANUFACTURING FEATURES

- Heating system located on the back side of the cooking chamber;
- Waterproof cooking chamber in stainless steel AISI 430;
- Cooking chamber with external welding;
- External covering panels made of satin stainless steel AISI 430;
- Base chassis made of stainless steel AISI 430;
- Heating elements made of stainless steel Incoloy 800;
- Thermal insulation of the cooking chamber in ceramics fibre;
- Cooking chamber fans made of stainless steel;

OPTIONAL ACCESSORIES

Code	Description
S 36G8	Stand
CRGR 36G8	Tray slides kit

Code	Description

DIMENSIONS

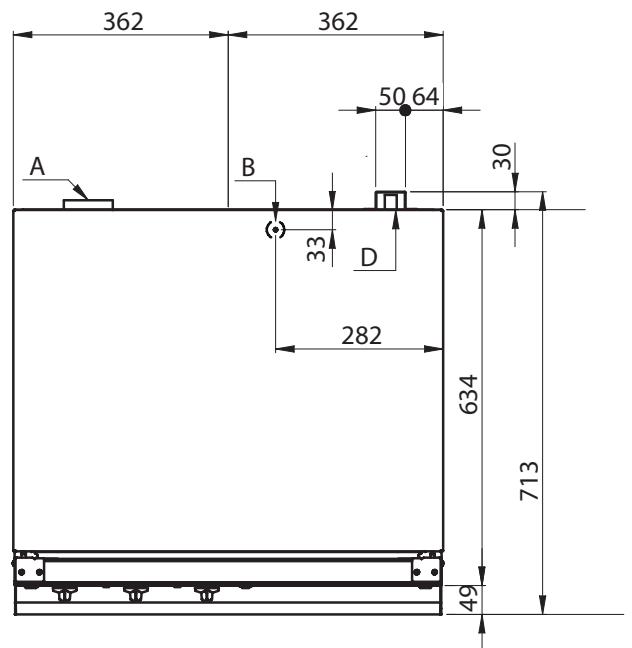
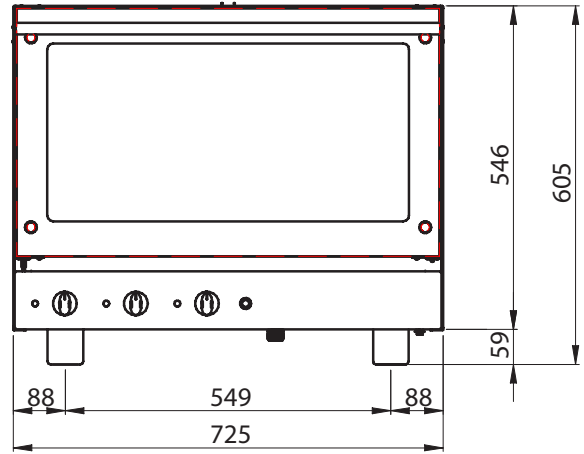
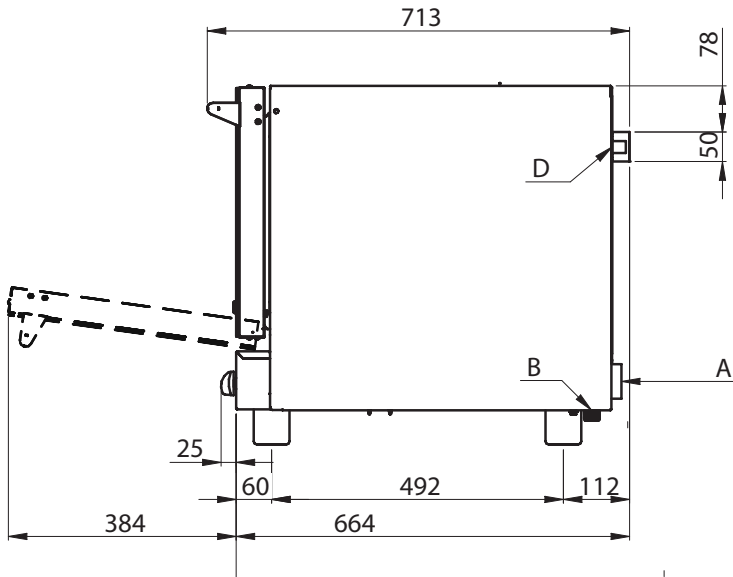
	OVEN	PACKAGE
Width	725 mm	760 mm
Depth (with door handle)	715 mm	750 mm
Height	605 mm	795 mm
Weight/volume		50 kg / 0.45 m ³

POWER SUPPLY

Model	ER004-USPE
Power loading	3,6 kW
Cooking chamber power	2,8 kW
Grill power	0,7 kW
Power of the motors	n° 2 x 55 W
Max. power loading	3,6 kW
Voltage	220-240 V N1 ~ 50/60 Hz
Absorbed current	6,0 A
Feed cable section	Electric cable included
Capacity	4 x 60x40 - GN 1/1
Pitch between the trays	70 mm

ALIMENTAZIONE IDRICA

Raccordo entrata acqua	Ø ¾" gas
Pressione acqua	1.5 - 2.5 bar
Durezza acqua	4-12 °f = 40-120 ppm
Conducibilità elettrica	50 ÷ 2000 µS/cm
Concentr. cloro Cl₂	< 0.2 mg/litre
Conc. ione cloruro Cl⁻	<150 mg/litre
Raccordo scarico acqua	--



- A Electrical cables connection
- B Water inlet Ø 3/4" gas
- D Cooking chamber release valve