



DESCRIPTION	
	Capacity: 4 x 60x40 - GN 1/1
	Trays insertion: Crosswise
	Dimensions: 725 x 715 x H 605 mm
	Control panel: Analogic
	Cooking chamber heating: Electric
	Steam generation: direct system
	2 Fans
	1 Side rotation

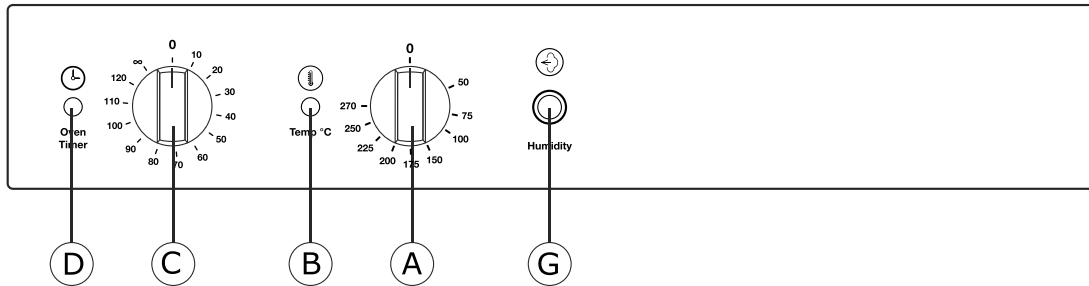
**COOKING MODES AND FUNCTIONING**

	<b>Convection mode</b>	Temperature range between 50 °C and 270 °C
	<b>Manual humidification</b>	

**CONTROL PANEL DESCRIPTION**

<b>A</b>	Cooking chamber thermostat
<b>B</b>	Heating cooking chamber ON pilot light
<b>C</b>	Timer
<b>D</b>	Timer ON pilot light

<b>G</b>	Manual humidification



**MANUFACTURING FEATURES**

- Heating system located on the back side of the cooking chamber;
- Waterproof cooking chamber in stainless steel AISI 430;
- Cooking chamber with external welding;
- External covering panels made of satin stainless steel AISI 430;
- Base chassis made of stainless steel AISI 430;
- Heating elements made of stainless steel Incoloy 800;
- Thermal insulation of the cooking chamber in ceramics fibre;
- Cooking chamber fans made of stainless steel;

**OPTIONAL ACCESSORIES**

Code	Description
<b>S 36G8</b>	Stand
<b>CRGR 36G8</b>	Tray slides kit

Code	Description

**DIMENSIONS**

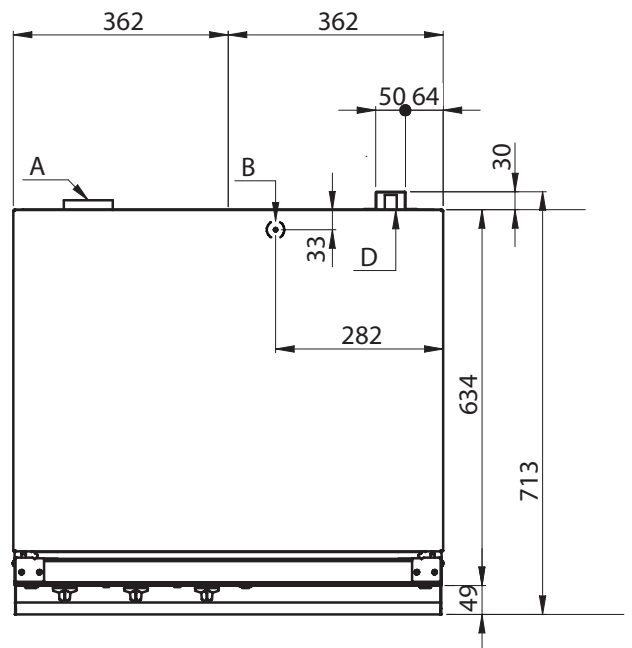
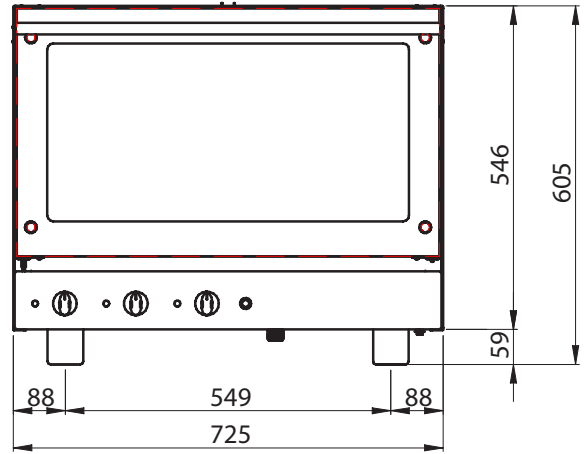
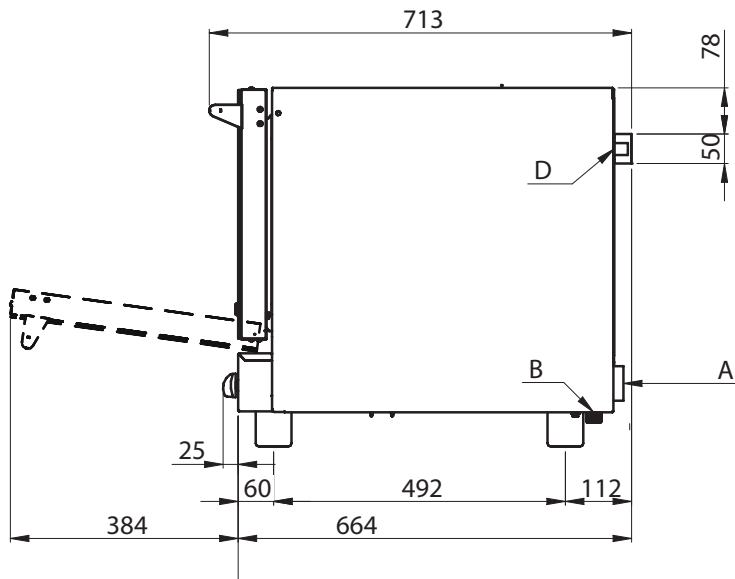
	<b>OVEN</b>	<b>PACKAGE</b>
<b>Width</b>	725 mm	760 mm
<b>Depth (with door handle)</b>	715 mm	750 mm
<b>Height</b>	605 mm	795 mm
<b>Weight/volume</b>		50 kg / 0.45 m <sup>3</sup>

**POWER SUPPLY**

<b>Model</b>	<b>ER004-UAEP</b>
<b>Power loading</b>	4,9 kW
<b>Cooking chamber power</b>	4,8 kW
<b>Grill power</b>	--
<b>Power of the motors</b>	n° 2 x 55 W
<b>Max. power loading</b>	4,9 kW
<b>Voltage</b>	400 V 3N ~ 50/60 Hz
<b>Absorbed current</b>	8,5 A
<b>Feed cable section</b>	5 X 2.5 mm <sup>2</sup>
<b>Capacity</b>	4 x 60x40 - GN 1/1
<b>Pitch between the trays</b>	70 mm

**ALIMENTAZIONE IDRICA**

<b>Raccordo entrata acqua</b>	Ø ¾" gas
<b>Pressione acqua</b>	1.5 - 2.5 bar
<b>Durezza acqua</b>	4-12 °f = 40-120 ppm
<b>Conducibilità elettrica</b>	50 ÷ 2000 µS/cm
<b>Concentr. cloro Cl<sub>2</sub></b>	< 0.2 mg/litre
<b>Conc. ione cloruro Cl<sup>-</sup></b>	<150 mg/litre
<b>Raccordo scarico acqua</b>	--



- A Electrical cables connection
- B Water inlet Ø 3/4" gas
- D Cooking chamber release valve

The manufacturer declines all responsibility due to errors and/or misprints.