

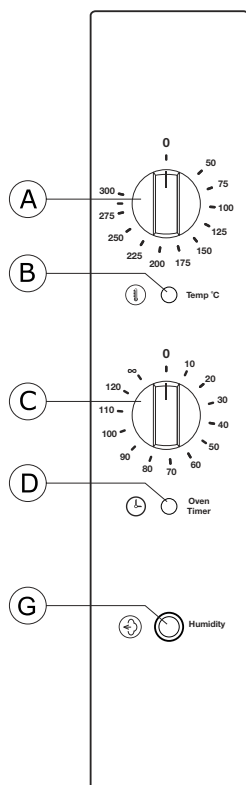


DESCRIPTION

	Capacity: 10 x 60x40 - GN 1/1
	Trays insertion: Crosswise
	Dimensions: 865 x 775 x H 1015 mm
	Control panel: Analogic
	Indicative quantity of meals: 120
	Cooking chamber heating: Electric
	Steam generation: Direct system

COOKING MODES AND FUNCTIONING

	Convection mode	Temperature range between 50 °C and 270 °C
	Manual humidification	
	Autoreverse	Automatic reversal of fan rotation



CONTROL PANEL DESCRIPTION

A	Cooking chamber thermostat
B	Heating cooking chamber ON pilot light
C	Timer
D	Timer ON pilot light
G	Manual humidification

MANUFACTURING FEATURES

- Heating system located on the back side of the cooking chamber;
- Waterproof cooking chamber in stainless steel AISI 430;
- Cooking chamber with external welding;
- External covering panels made of satin stainless steel AISI 430;
- Base chassis made of stainless steel AISI 430;
- Heating elements made of stainless steel Incoloy 800;
- Thermal insulation of the cooking chamber in ceramics fibre;
- Cooking chamber fans made of stainless steel;

OPTIONAL ACCESSORIES

Code	Description
DLE	Hand shower
SCR 11 NB7	Stand H 70 with shelf
CRGR 11 NB7	Tray slides kit

Code	Description

DIMENSIONS

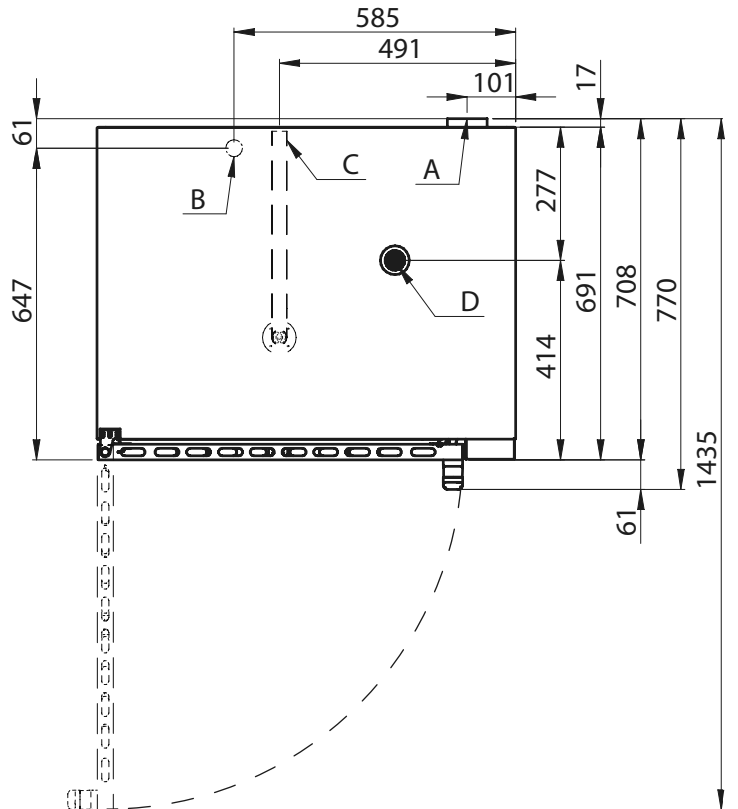
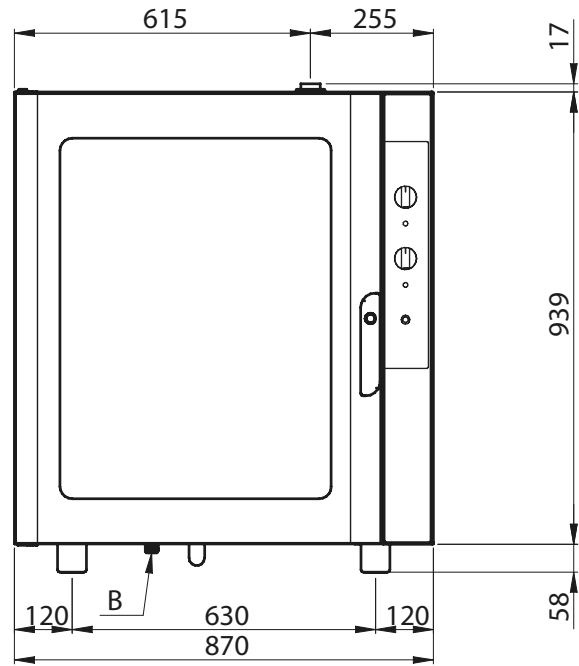
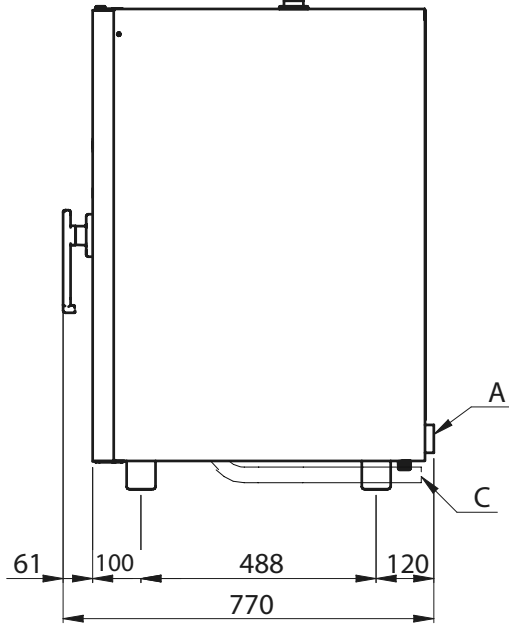
	OVEN	PACKAGE
Width	875 mm	910 mm
Depth (with door handle)	775 mm	815 mm
Height	1015 mm	1205 mm
Weight/volume	110 kg / 0.89 m ³	

POWER SUPPLY

	E010-UAE
Model	E010-UAE
Power loading	11.9 kW
Cooking chamber power	11.1 kW
Power of the motors	n° 3 x 240 W
Max. power loading	11.8 kW
Voltage	380 - 415 V 3N ~ 50/60 Hz
Absorbed current	20,0 A
Feed cable section	n° 5 x 4.0 mm ²
Capacity	10 x 60x40 - GN 1/1
Pitch between the trays	75 mm

WATER SUPPLY

Water supply coupling	Ø ¾" gas
Water pressure	1.5 - 2.5 bar
Water hardness	4 - 12 °f 40 - 120 ppm
Water conductivity	50 e 2000 µS/cm
Chlorine concentr. Cl₂	< 0.2 mg/litre
Chloride concentration	<150 mg/litre
Water drain coupling	Øe 40 mm



- A Electrical cables connection
- B Water inlet Ø 3/4" gas
- C Chamber drainage Øe 40 mm
- D Cooking chamber release valve

The manufacturer declines all responsibility due to errors and/or misprints.