

CWKD-84ET

ELECTRIC FREELOTUS

ELECTRIC GRILL 80

CONTACT Grill threephase - rotatable stainless steel grill cm. 27x63



Construction - Fabricated using CrNi 18/10 AISI 304 grade Stainless Steel Scotch-Brite Satin polish Finish, incorporating 2 mm thick worktop, chromed details. Model - Professional Electric Grill. Contact model for direct cooking above the rotatable heating element in stainless steel. Fittings - Fixing system.



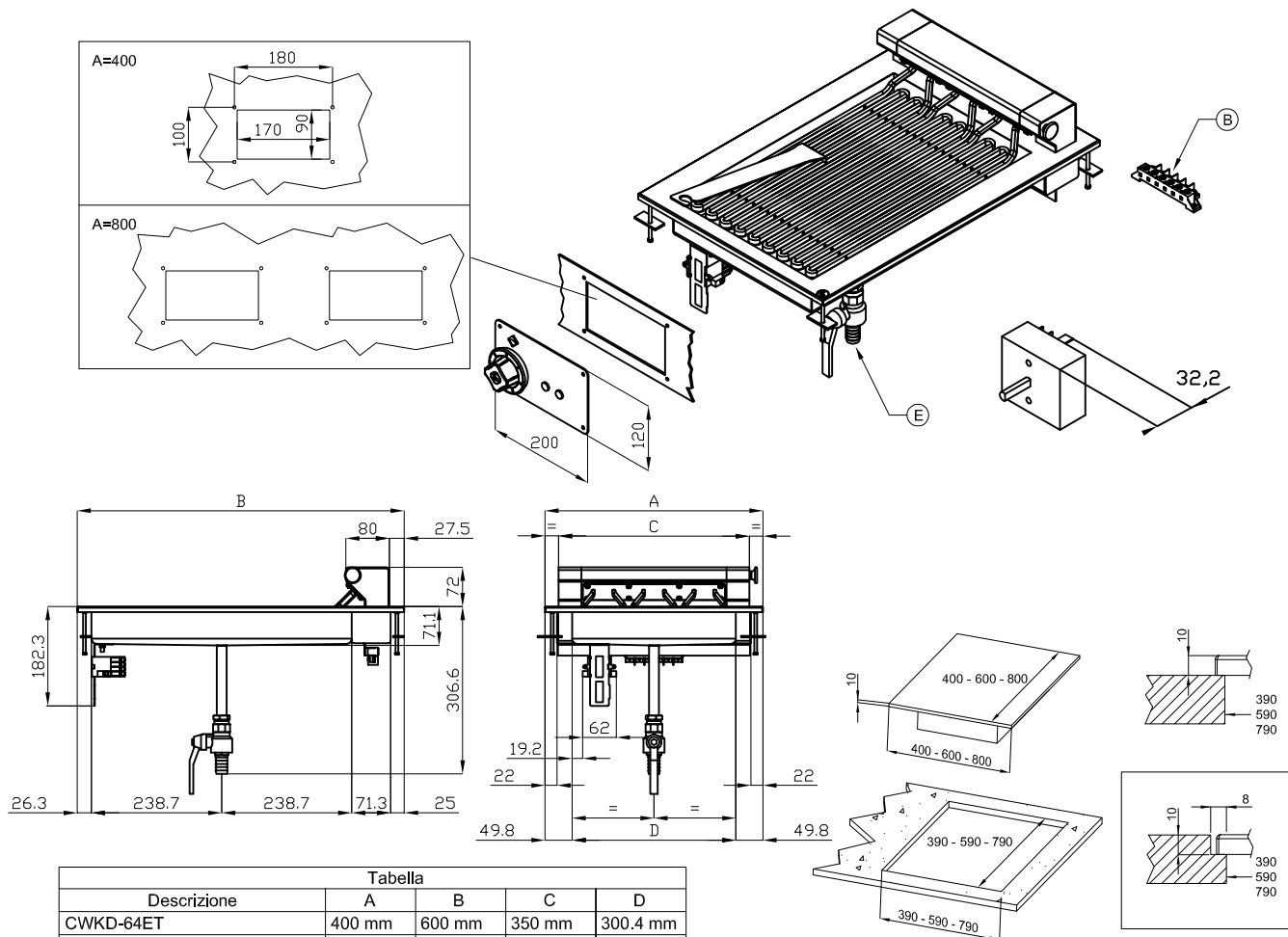
ITALIAN CULINARY ART

The pictures are purely representative. The manufacturer reserves the right to modify the technical data and models without previous notice.

CWKD-84ET

ELECTRIC FREELOTUS

ELECTRIC GRILL 80



A	Data plate		B	Electrical connection	
E	Water drainage	Ø20mm			

MODEL: CWKD-84ET
 DIMENSIONS: cm. 40x 80x 30h
 ELECTRIC POWER: 5,415 kW
 VOLTAGE: 400V~3N
 FREQUENCY: 50/60 Hz



kg: 35
 m³: 0.225
 mm: 430x970x540

BUY LOTUS BUY ITALY

The pictures are purely representative. The manufacturer reserves the right to modify the technical data and models without previous notice.



LOTUS S.P.A. Via Calmaor, 46
 31020 San Vendemiano(TV) - Italy
 Tel. + 39 0438 778020 / 778468
 Fax + 39 0438 778277
 www.lotuscookers.it - lotus@lotuscookers.it