

CWKD-68ET

ELECTRIC FREELOTUS

ELECTRIC GRILL 60

CONTACT Grill threephase - rotatable stainless steel grill cm. 55x43 - 2 cooking areas



Construction - Fabricated using CrNi 18/10 AISI 304 grade Stainless Steel Scotch-Brite Satin polish Finish, incorporating 2 mm thick worktop, chromed details. Model - Professional Electric Grill. Contact model for direct cooking above the rotatable heating element in stainless steel. Fittings - Fixing system.



ITALIAN CULINARY ART

The pictures are purely representative. The manufacturer reserves the right to modify the technical data and models without previous notice.

CWKD-68ET

ELECTRIC FREELOTUS

ELECTRIC GRILL 60

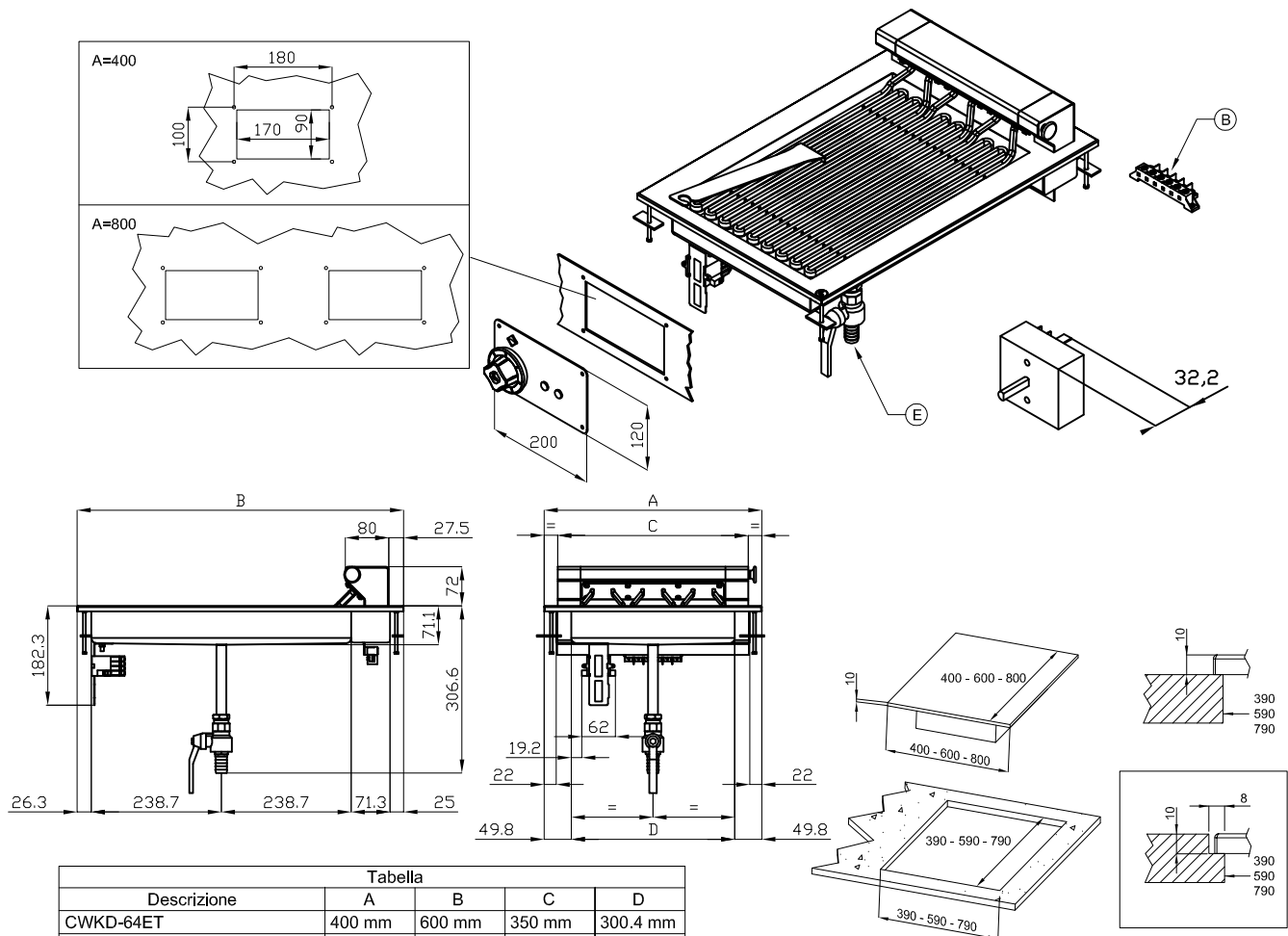


Tabella				
Descrizione	A	B	C	D
CWKD-64ET	400 mm	600 mm	350 mm	300.4 mm
CWKD-68ET	800 mm	600 mm	627.5 mm	577.9 mm
CWKD-84ET	400 mm	800 mm	350 mm	577.9 mm

A	Data plate		B	Electrical connection	
E	Water drainage	Ø20mm			

MODEL: CWKD-68ET
 DIMENSIONS: cm. 80x 60x 30h
 ELECTRIC POWER: 8,16 KW
 VOLTAGE: 400V~3N
 FREQUENCY: 50/60 Hz



kg: 60
 m³: 0.309
 mm: 830x690x540

BUY LOTUS BUY ITALY

The pictures are purely representative. The manufacturer reserves the right to modify the technical data and models without previous notice.



LOTUS S.P.A. Via Calmaor, 46
 31020 San Vendemiano (TV) - Italy
 Tel. + 39 0438 778020 / 778468
 Fax + 39 0438 778277
 www.lotuscookers.it - lotus@lotuscookers.it