

# CWKD-64ET

ELECTRIC FREELOTUS

ELECTRIC GRILL 60

CONTACT Grill threephase - rotatable stainless steel grill cm. 27x43



Construction - Fabricated using CrNi 18/10 AISI 304 grade Stainless Steel Scotch-Brite Satin polish Finish, incorporating 2 mm thick worktop, chromed details. Model - Professional Electric Grill. Contact model for direct cooking above the rotatable heating element in stainless steel. Fittings - Fixing system.



ITALIAN CULINARY ART

The pictures are purely representative. The manufacturer reserves the right to modify the technical data and models without previous notice.

# CWKD-64ET

ELECTRIC FREELOTUS

ELECTRIC GRILL 60

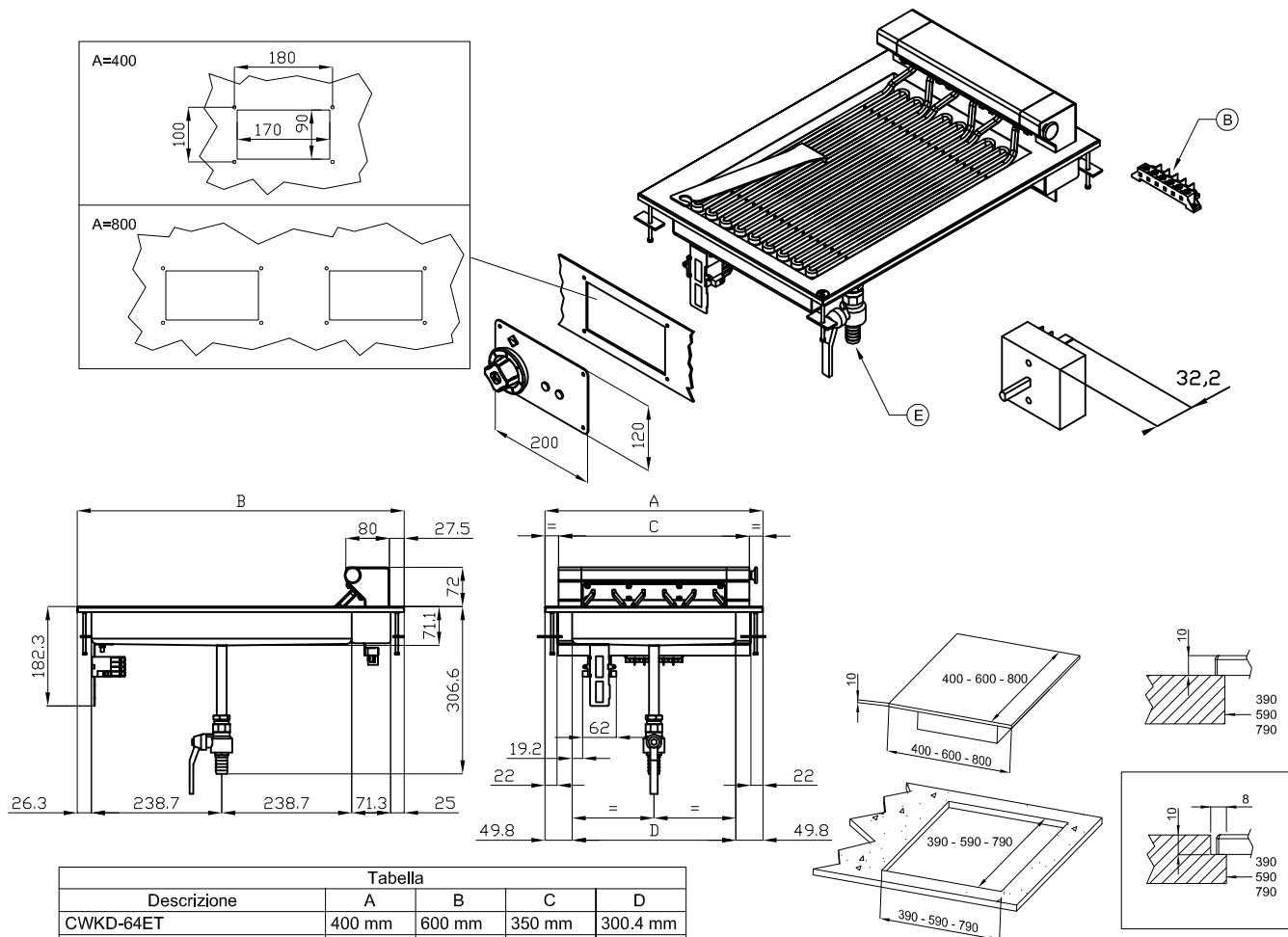
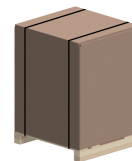


Tabella				
Descrizione	A	B	C	D
CWKD-64ET	400 mm	600 mm	350 mm	300.4 mm
CWKD-68ET	800 mm	600 mm	627.5 mm	577.9 mm
CWKD-84ET	400 mm	800 mm	350 mm	577.9 mm

A	Data plate		B	Electrical connection	
E	Water drainage	Ø20mm			

MODEL: CWKD-64ET  
 DIMENSIONS: cm. 40x 60x 30h  
 ELECTRIC POWER: 4,08 KW  
 VOLTAGE: 400V~3N  
 FREQUENCY: 50/60 Hz



kg: 30  
 m<sup>3</sup>: 0.16  
 mm: 430x690x540

BUY LOTUS BUY ITALY

The pictures are purely representative. The manufacturer reserves the right to modify the technical data and models without previous notice.



LOTUS S.P.A. Via Calmaor, 46  
 31020 San Vendemiano(TV) - Italy  
 Tel. + 39 0438 778020 / 778468  
 Fax + 39 0438 778277  
 www.lotuscookers.it - lotus@lotuscookers.it