

# CWK-94ETT

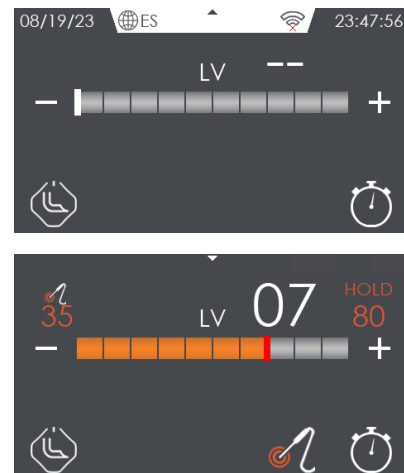
## 90 IPERLOTUS TOUCH ELECTRIC GRILL - TOUCH



CONTACT Grill threephase on open cabinet.  
Touch Screen 4,3", with 10 power levels.  
"Energy Saving, WiFi and CLOUD". Functions:  
2 timer, core probe for direct cooking  
(OPTIONAL). rotatable stainless steel grill cm.  
27x63 (included 1 Head end filler strip  
mod.TPA-9)



Construction - Fabricated using CrNi 18/10 AISI 304 grade Stainless Steel Scotch-Brite Satin polish Finish, incorporating 2mm thick worktop, rounded edges, chromed details and rear splash back. Knobs with waterproof grades IPX5 and 4.3" capacitive touch screen. Model - Professional electric grills, on open cabinet. Equipped with a water drawer and a special reflective system to optimize the heating flow and to maintain the softness and juiciness of food. Contact models for direct firing on tilting s/s heating elements. Display with power adjustment from 0 to 10 levels, 2 timers maximum 99 minutes. With the OPTIONAL core probe it is possible to activate the menu for controlled core cooking. Standard WiFi and CLOUD, designed for connection to an external "ENERGY SAVING" system. Maintenance - All serviceable parts are accessible by the easy removal of front dashboard. Fittings - Appliance is supplied with adjustable feet. Doors not included.



ITALIAN CULINARY ART

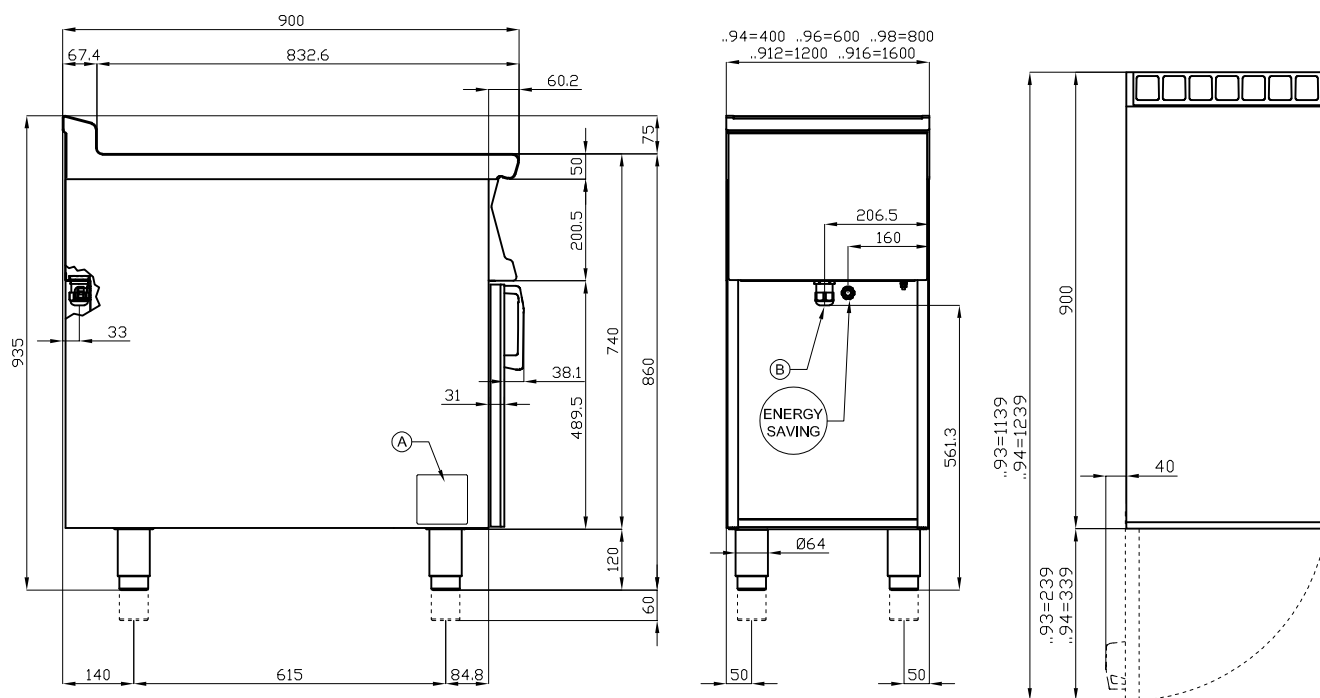
The pictures are purely representative. The manufacturer reserves the right to modify the technical data and models without previous notice.

# CWK-94ETT

90 IPERLOTUS TOUCH  
ELECTRIC GRIILL - TOUCH

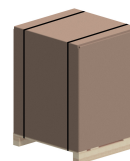


View 3D



A	Data plate	B	Electrical connection
---	------------	---	-----------------------

MODEL: CWK-94ETT  
 DIMENSIONS: cm. 40x 90x 90h  
 ELECTRIC POWER: 5,415 kW  
 VOLTAGE: 400V~3N  
 FREQUENCY: 50/60 Hz



kg: 69  
 m<sup>3</sup>: 0.463  
 mm: 430x970x1110

BUY LOTUS BUY ITALY

The pictures are purely representative. The manufacturer reserves the right to modify the technical data and models without previous notice.



LOTUS S.P.A. Via Calmaor, 46  
 31020 San Vendemiano(TV) - Italy  
 Tel. + 39 0438 778020 / 778468  
 Fax + 39 0438 778277  
 www.lotuscookers.it - lotus@lotuscookers.it