

CWD-75G

GAS FREELOTUS

GAS CHARCOAL GRILL 70

Lavastone grill gas, Stainless steel grill cm. 38x52. Electric ignition, flame presence indicator, floodable perimeter channel, drain with removable filter.



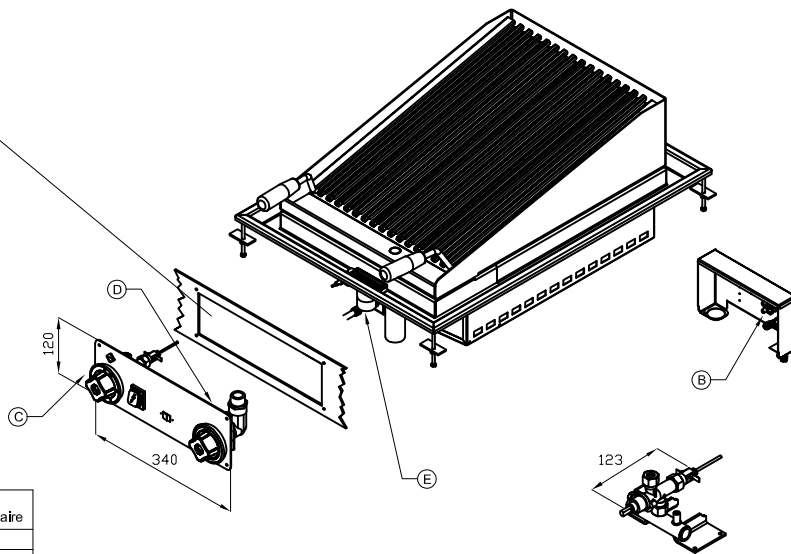
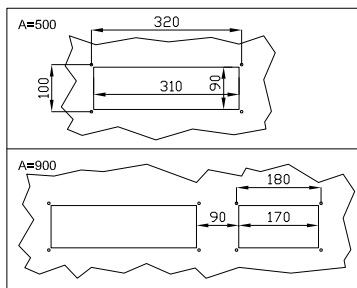
ITALIAN CULINARY ART

The pictures are purely representative. The manufacturer reserves the right to modify the technical data and models without previous notice.

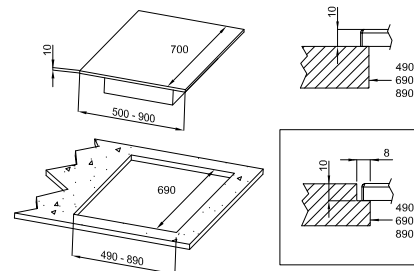
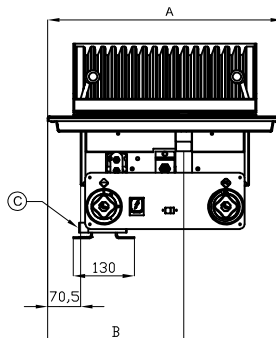
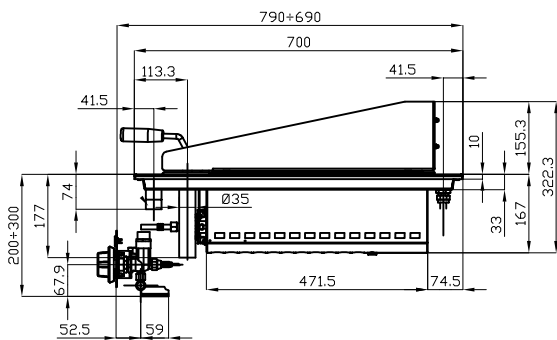
CWD-75G

GAS FREELOTUS

GAS CHARCOAL GRILL 70

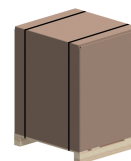


Descrizione	Tabella		Ingresso aria / Lufteintritt Entrée d'air / Air inlet / Entrada de aire
	A	B	
CWD-75G	500 mm	290 mm	≥130 cm ²
CWD-79G	900 mm	450 mm	≥260 cm ²



A	Data plate		B	Electrical connection	
C	Gas connection	ISO 7-1 1/2" M	D	Cold water connection	ISO 7-1 1/2" F
E	Water drainage	ISO 7-1 1" M			

MODEL: CWD-75G
DIMENSIONS: cm. 50x 70x 33h
GAS POWER: 9 kW / 7.740 kcal/h
GAS TYPE: Natural Gas / LPG
ELECTRIC POWER: 0,01 KW
VOLTAGE: 230V~
FREQUENCY: 50/60 Hz



kg: 51
m³: 0.262
mm: 630x770x540

BUY LOTUS BUY ITALY

The pictures are purely representative. The manufacturer reserves the right to modify the technical data and models without previous notice.



LOTUS S.P.A. Via Calmaor, 46
 31020 San Vendemiano (TV) - Italy
 Tel. + 39 0438 778020 / 778468
 Fax + 39 0438 778277
www.lotuscookers.it - lotus@lotuscookers.it