

# CW-6ET

## 65 MAGICPROF ELECTRIC GRILL

Electric grill threephase - N. 2 adjustable  
stainless steel grills cm. 28x47 - 2 cooking  
areas



Construction - Fabricated using CrNi 18/10 AISI 304 grade Stainless Steel Scotch-Brite Satin polish Finish, incorporating 1mm thick worktop, rounded edges, chromed details and rear splash back. Model - Professional Electric Grill. Fitted with water compartment and special reflective system to optimise heat, Removable liquid containers.

Maintenance - All serviceable parts are accessible by the easy removal of front control panel. Fittings - Appliance is supplied with adjustable feet.

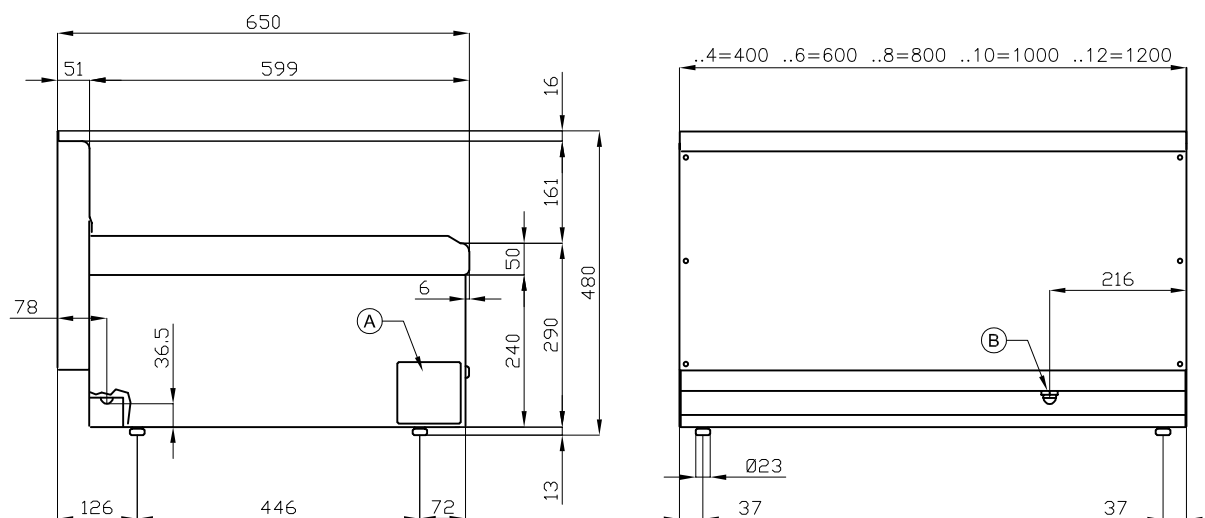


ITALIAN CULINARY ART

The pictures are purely representative. The manufacturer reserves the right to modify the technical data and models without previous notice.

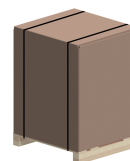
# CW-6ET

## 65 MAGICPROF ELECTRIC GRILL



A	Data plate	B	Electrical connection
---	------------	---	-----------------------

**MODEL:** CW-6ET  
**DIMENSIONS:** cm. 60x 65x 29h  
**ELECTRIC POWER:** 8 kW  
**VOLTAGE:** 400V~3N / 230V~3  
**FREQUENCY:** 50/60 Hz



**kg:** 48  
**m<sup>3</sup>:** 0.265  
**mm:** 630x690x610

BUY LOTUS BUY **ITALY**

The pictures are purely representative. The manufacturer reserves the right to modify the technical data and models without previous notice.



LOTUS S.P.A. Via Calmaor, 46  
 31020 San Vendemiano(TV) - Italy  
 Tel. + 39 0438 778020 / 778468  
 Fax + 39 0438 778277  
[www.lotuscookers.it](http://www.lotuscookers.it) - [lotus@lotuscookers.it](mailto:lotus@lotuscookers.it)