

# CPT-76ET

70 SUPERLOTUS TOP

ELECTRIC PASTA COOKERS - TOP

Pasta cooker threephase 25 lts. Tank cm.  
51x31x22h. Drain-tap (BASKETS EXCLUDED)  
(included 1 Head end filler strip mod.TPA-7)



Construction -Fabricated using CrNi 18/10 AISI 304 grade Stainless Steel Scotch-Brite Satin polish Finish, incorporating 2 mm thick worktop, rounded edges, chrome details and rear splash back. Tank fabricated in AISI 316. Knobs with waterproof grades IPX5. Model - Professional Electric Pasta Cooker with single tank incorporating built in and floor drain. Perforated pasta baskets with safety handles, available in different sizes for multiple product cooking. Front water drainage tap. High performance tubular heating elements, safety thermostat and 4-position switch control. Security in bowl by water presence sensor. Maintenance - All serviceable parts are accessible by the easy removal of front control panel. Fittings - Appliance is supplied with adjustable feet.

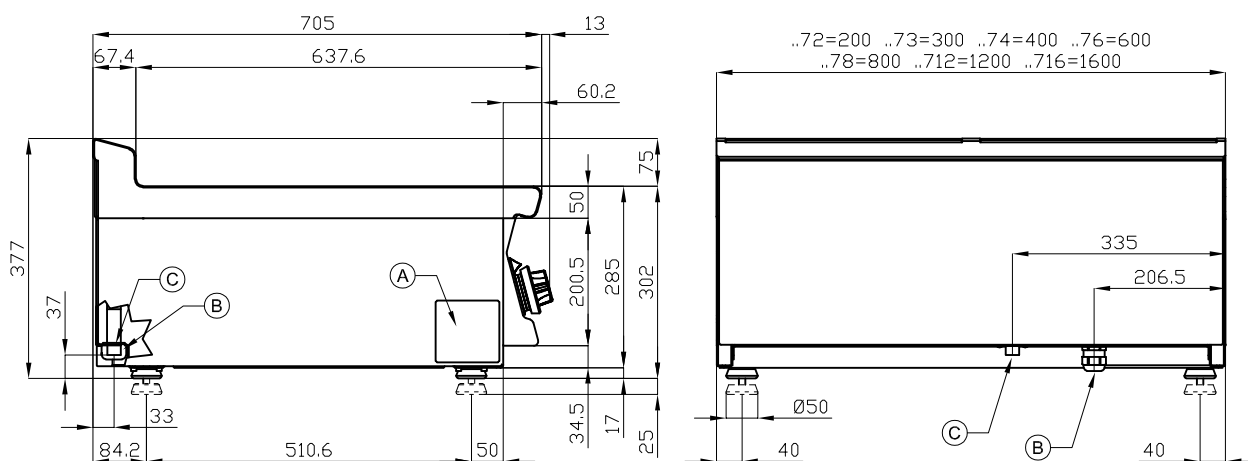


ITALIAN CULINARY ART

The pictures are purely representative. The manufacturer reserves the right to modify the technical data and models without previous notice.

# CPT-76ET

70 SUPERLOTUS TOP  
ELECTRIC PASTA COOKERS - TOP



A	Data plate		B	Electrical connection	
---	------------	--	---	-----------------------	--

MODEL: CPT-76ET  
 DIMENSIONS: cm. 60x 70,5x 28h  
 ELECTRIC POWER: 6,25 kW  
 VOLTAGE: 400V~3N  
 FREQUENCY: 50/60 Hz



kg: 45  
 m<sup>3</sup>: 0.262  
 mm: 630x770x540

BUY LOTUS BUY ITALY

The pictures are purely representative. The manufacturer reserves the right to modify the technical data and models without previous notice.



LOTUS S.P.A. Via Calmaor, 46  
 31020 San Vendemiano(TV) - Italy  
 Tel. + 39 0438 778020 / 778468  
 Fax + 39 0438 778277  
 www.lotuscookers.it - lotus@lotuscookers.it