

CPPA-94G

90

ELECTRIC PASTA COOKERS

Powerfull Gas pasta cooker 40 lts. - Tank cm. 30,7x50,9x32,7h. Automatic Water loading with level sensor - overflow device and floor draining (BASKETS EXCLUDED) (included both Heads end filler strip)



Construction -Fabricated using CrNi 18/10 AISI 304 grade Stainless Steel Scotch-Brite Satin polish Finish, incorporating 2mm thick worktop, rounded edges, chrome details and rear splash back. Tanks fabricated in AISI 316. Knobs with waterproof grades IPX5. Model - Professional Gas Pasta Cooker, powerful model, also for frozen product. Possible automatic water loading with level sensor. Single tank incorporating built in water fill tap, overfill safety valve and floor drain. Perforated pasta baskets with safety handles, available in different sizes for multiple product cooking. Electric ignition, pilot light. Thermocouple safety valves. Security in bowl by water presence sensor. Maintenance - All serviceable parts are accessible by the easy removal of front control panel. Fittings - Appliance is supplied with both LPG and Natural Gas conversion jets and adjustable feet.



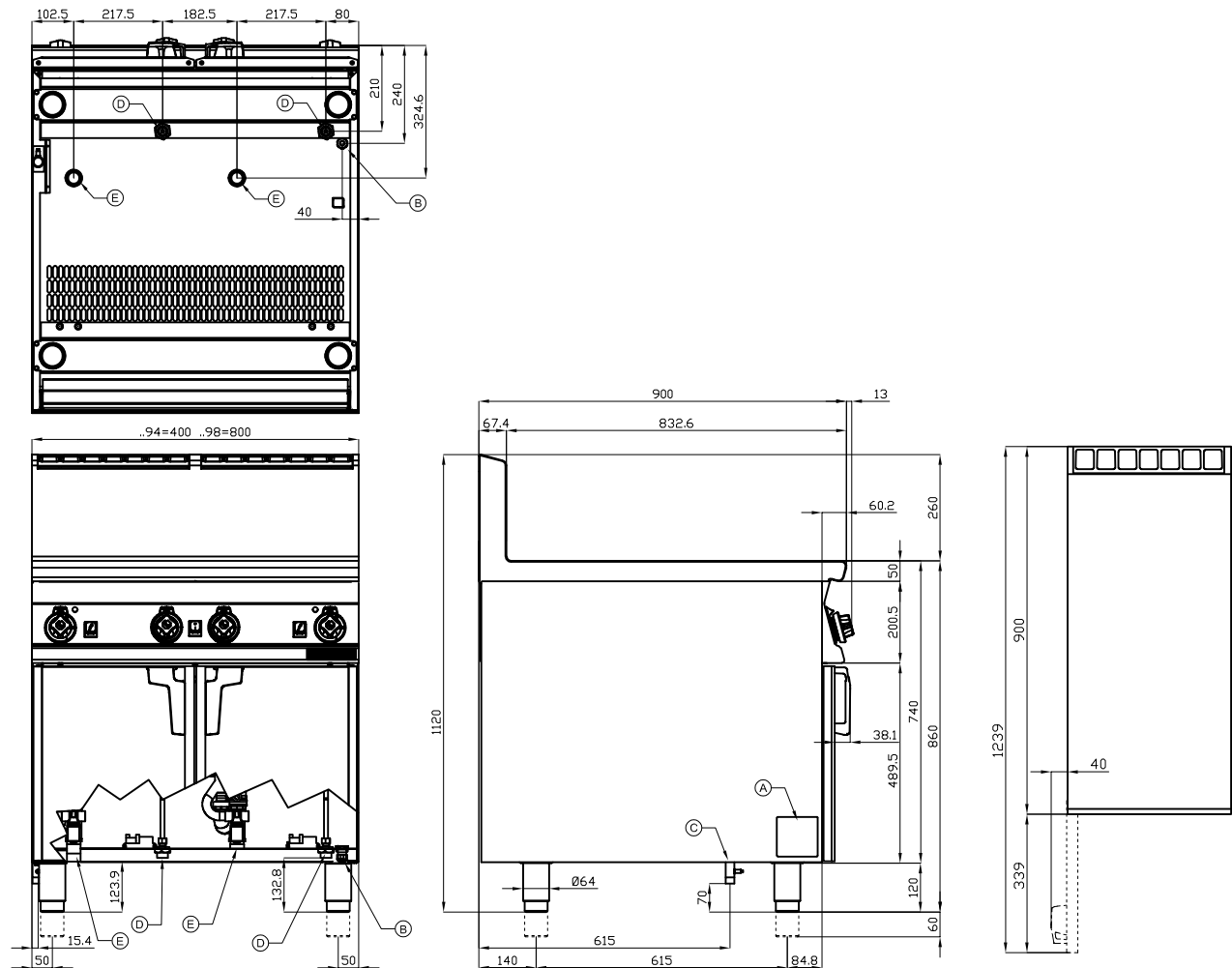
ITALIAN CULINARY ART

The pictures are purely representative. The manufacturer reserves the right to modify the technical data and models without previous notice.

CPPA-94G

90

ELECTRIC PASTA COOKERS



A	Data plate		B	Electrical connection	
C	Gas connection	ISO 7-1 1/2" M	D	Cold water connection	ISO 7-1 3/4" M
E	Water drainage	ISO 7-1 1" M			

MODEL: CPPA-94G
DIMENSIONS: cm. 40x 90x 90h
GAS POWER: 23,5 kW / 20.210 kcal/h
GAS TYPE: Natural Gas / LPG
ELECTRIC POWER: 0,035 KW
VOLTAGE: 230V~
FREQUENCY: 50/60 Hz



kg: 69
m³: 0.542
mm: 430x970x1300

BUY LOTUS BUY ITALY

The pictures are purely representative. The manufacturer reserves the right to modify the technical data and models without previous notice.



LOTUS S.P.A. Via Calmaor, 46
 31020 San Vendemiano (TV) - Italy
 Tel. + 39 0438 778020 / 778468
 Fax + 39 0438 778277
 www.lotuscookers.it - lotus@lotuscookers.it