

# CPP-98G

90 IPERLOTUS

ELECTRIC PASTA COOKERS



View 3D

Powerfull Gas pasta cooker 40+40 lts 2  
Tanks cm. 30,7x50,9x32,7h. Water loading  
tap + overflow device and floor draining  
(BASKETS EXCLUDED) (included both Heads  
end filler strip)



Construction -Fabricated using CrNi 18/10 AISI 304 grade Stainless Steel Scotch-Brite Satin polish Finish, incorporating 2mm thick worktop, rounded edges, chrome details and rear splash back. Tanks fabricated in AISI 316. Knobs with waterproof grades IPX5. Model - Professional Gas Pasta Cooker, powerful model, also for frozen product. Possible automatic water loading with level sensor. Single tank incorporating built in water fill tap, overfill safety valve and floor drain. Perforated pasta baskets with safety handles, available in different sizes for multiple product cooking. Electric ignition, pilot light. Thermocouple safety valves. Security in bowl by water presence sensor. Maintenance - All serviceable parts are accessible by the easy removal of front control panel. Fittings - Appliance is supplied with both LPG and Natural Gas conversion jets and adjustable feet.

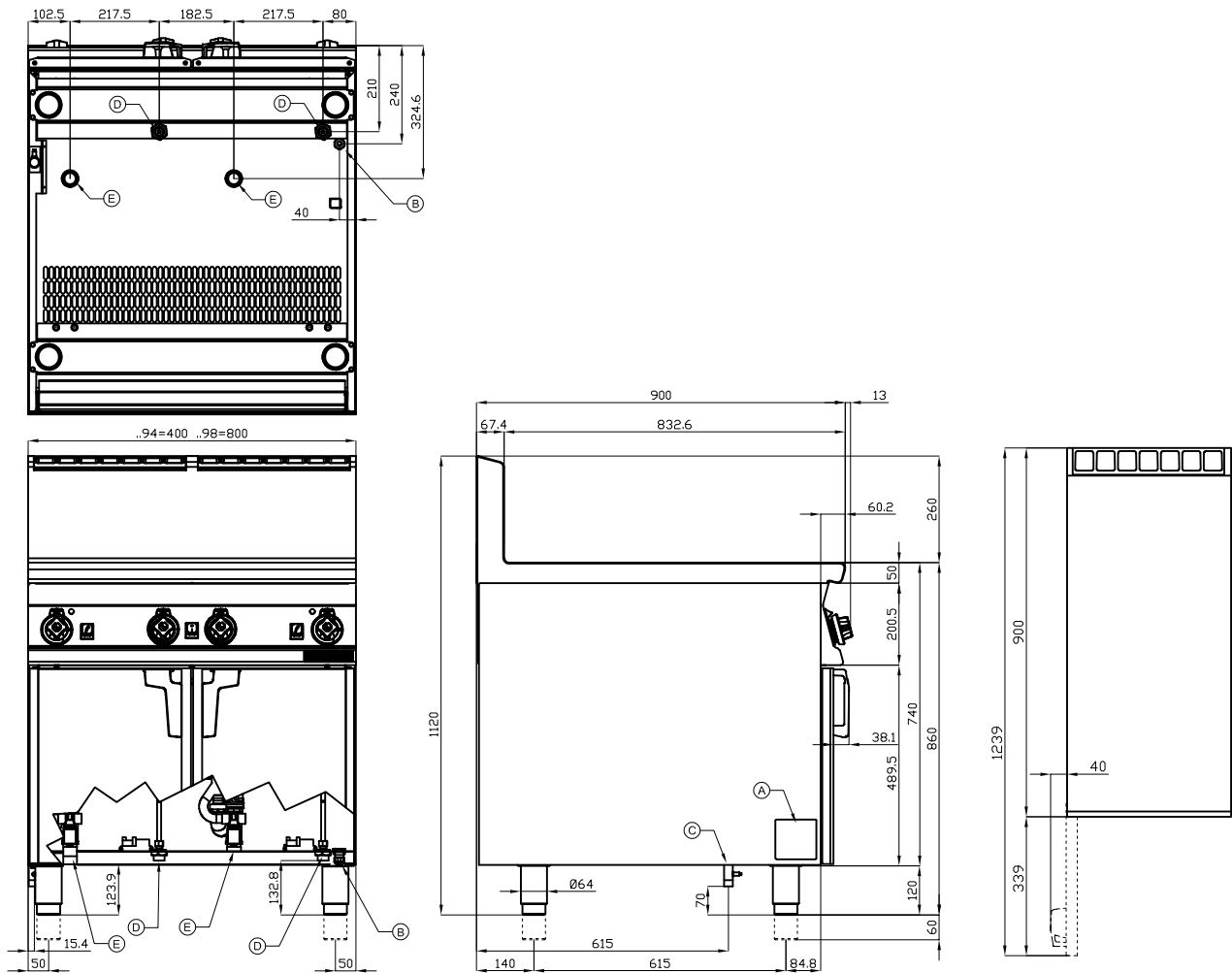


ITALIAN CULINARY ART

The pictures are purely representative. The manufacturer reserves the right to modify the technical data and models without previous notice.

# CPP-98G

## 90 IPERLOTUS ELECTRIC PASTA COOKERS



A	Data plate		B	Electrical connection	
C	Gas connection	ISO 7-1 3/4" M	D	Cold water connection	ISO 7-1 3/4" M
E	Water drainage	ISO 7-1 1" M			

**MODEL:** CPP-98G  
**DIMENSIONS:** cm. 80x 90x 90h  
**GAS POWER:** 47 kW / 40.420 kcal/h  
**GAS TYPE:** Natural Gas / LPG  
**ELECTRIC POWER:** 0,04 KW  
**VOLTAGE:** 230V~  
**FREQUENCY:** 50/60 Hz



**kg:** 118  
**m<sup>3</sup>:** 1.047  
**mm:** 830x970x1300

BUY LOTUS BUY ITALY

The pictures are purely representative. The manufacturer reserves the right to modify the technical data and models without previous notice.



LOTUS S.P.A. Via Calmaor, 46  
 31020 San Vendemiano (TV) - Italy  
 Tel. + 39 0438 778020 / 778468  
 Fax + 39 0438 778277  
 www.lotuscookers.it - lotus@lotuscookers.it