

CPD-64ET

ELECTRIC FREELOTUS

ELECTRIC PASTA COOKERS 60

Pasta cooker threephase 25 lts. Tank cm. 30,5x33,5x32,7h. Water loading cock + overflow device and floor draining (BASKETS EXCLUDED)



Construction - Fabricated using CrNi 18/10 AISI 304 grade Stainless Steel Scotch-Brite Satin polish Finish, incorporating 2 mm thick worktop, chromed details. Tank fabricated in AISI 316. Model - Professional Electric Pasta Cookers, possible automatic water loading and with level sensor. Single tanks incorporating built in water fill tap, overflow safety valve and floor drain. Perforated pasta baskets with safety handles, available in different sizes for multiple product cooking. High performance tubular heating elements, safety thermostat and 4-position switch control. Maintenance - Tank cleaning facilitated by rotating coils. Fittings - Fixing system.



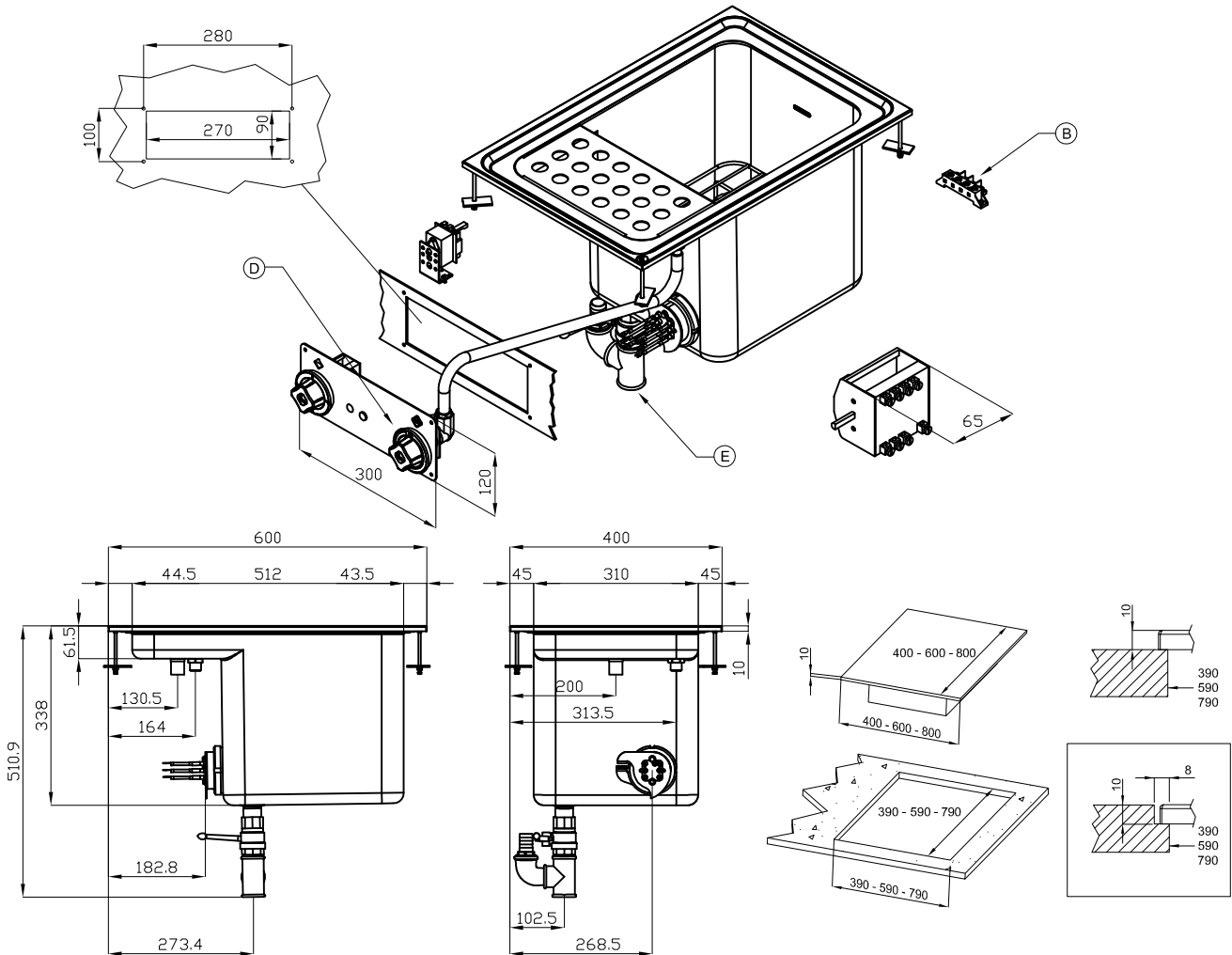
ITALIAN CULINARY ART

The pictures are purely representative. The manufacturer reserves the right to modify the technical data and models without previous notice.

CPD-64ET

ELECTRIC FREELOTUS

ELECTRIC PASTA COOKERS 60



A	Data plate		B	Electrical connection	
D	Cold water connection	ISO 7-1 1/2" F	E	Water drainage	ISO 7-1 1" F

MODEL: CPD-64ET
 DIMENSIONS: cm. 40x 60x 51h
 ELECTRIC POWER: 7,8 kW
 VOLTAGE: 400V~3N
 FREQUENCY: 50/60 Hz



kg: 22
 m³: 0.235
 mm: 630x690x540

BUY LOTUS BUY ITALY

The pictures are purely representative. The manufacturer reserves the right to modify the technical data and models without previous notice.



LOTUS S.P.A. Via Calmaor, 46
 31020 San Vendemiano(TV) - Italy
 Tel. + 39 0438 778020 / 778468
 Fax + 39 0438 778277
 www.lotuscookers.it - lotus@lotuscookers.it