

CPA-98ETT

90 IPERLOTUS TOUCH

ELECTRIC PASTA COOKERS - TOUCH



Pasta cooker threephase 40+40 lts. 2 Tanks
cm. 30,7x50,9x32,7h. Touch Screen 4,3",
temperature up to 80°C then MAX. "Energy
Saving, WiFi and CLOUD". Functions: 4 timer,
steam cooking, 3 water loading speeds, core
probe for sous vide cooking (OPTIONAL).
Automatic Water loading with level sensor -
overflow device and floor draining (BASKETS
EXCLUDED) (included 1 Head end filler strip
mod.TPA-9)



Construction -Fabricated using CrNi 18/10 AISI 304 grade Stainless Steel
Scotch-Brite Satin polish Finish, incorporating 2mm thick worktop,
rounded edges, chrome details and rear splash back. AISI 316 stainless
steel tank. Knobs with waterproof grades IPX5 and 4.3" capacitive touch
screen. Model - Professional electric pasta cookers, with automatic water
loading and level sensor. Equipped with a single or double moulded
tank, with bottom grid and high-yield armoured resistor, for fast boiling
point reaching. Display with thermostatic adjustment up to 80°C and
then setting to MAX to ensure safe and constant boiling. 4 timers
maximum 99 minutes, maximum or minimum level selection button to
generate constant steam, 3-speed slow refill function for various
foaming needs. With the OPTIONAL core probe it is possible to activate
the menu for controlled sous-vide cooking. Equipped with a safety
thermostat. Standard WiFi and CLOUD, designed for connection to an
external "ENERGY SAVING" system. Baskets (excluded) in perforated s/s,
available in various types and sizes, for simultaneous multi-firing with
excellent results. Equipped with overflow device and floor draining.
Maintenance - All serviceable parts are accessible by the easy removal of
front dashboard. Tank cleaning facilitated by rotatable heating
elements. Fittings - Appliance is supplied with adjustable feet.



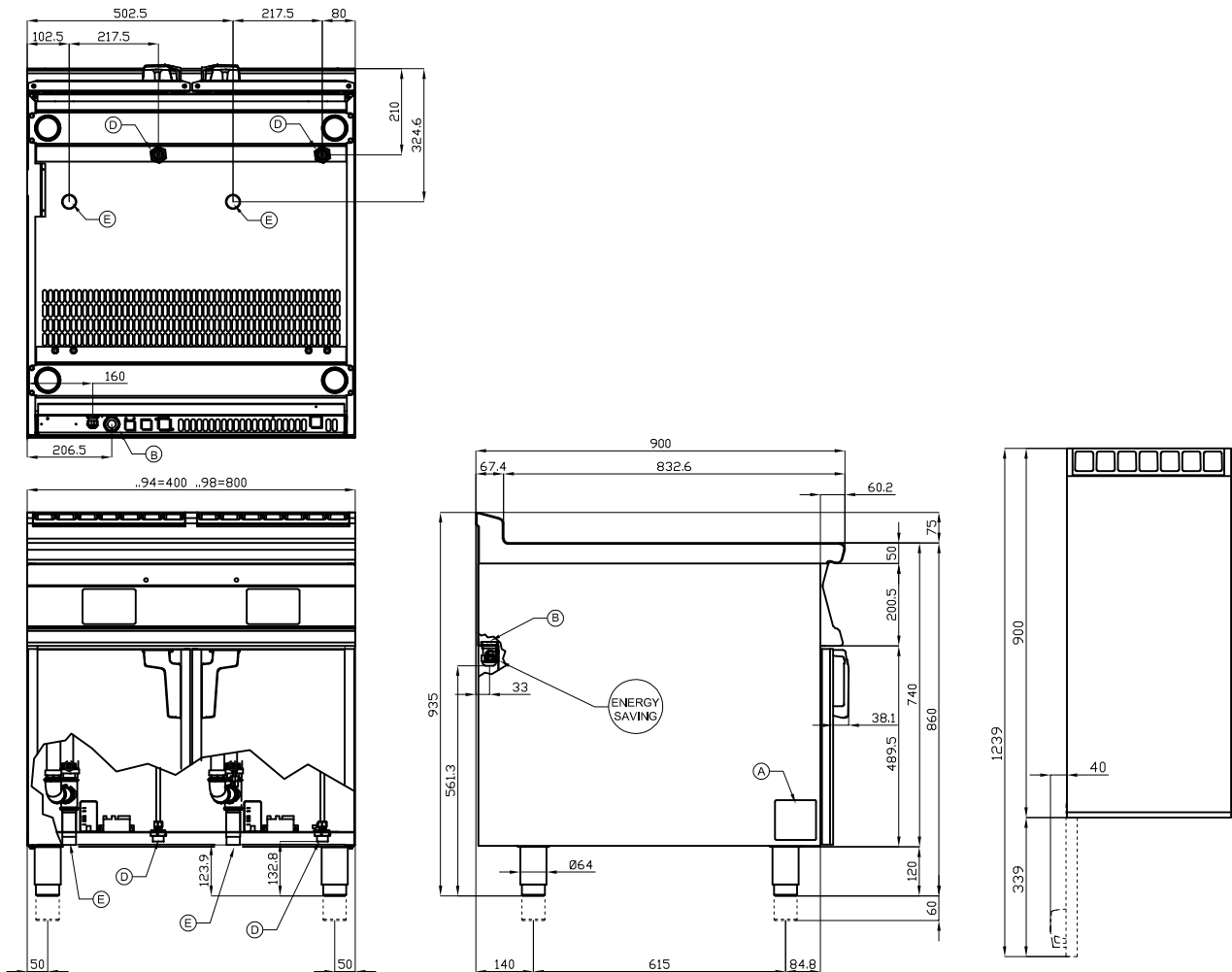
ITALIAN CULINARY ART

The pictures are purely representative. The manufacturer reserves the right to modify the technical data and models without previous notice.

CPA-98ETT

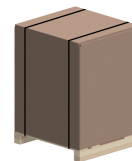
90 IPERLOTUS TOUCH

ELECTRIC PASTA COOKERS - TOUCH



A	Data plate		B	Electrical connection	
D	Cold water connection	ISO 7-1 3/4" M	E	Water drainage	ISO 7-1 1" M

MODEL: CPA-98ETT
 DIMENSIONS: cm. 80x 90x 90h
 ELECTRIC POWER: 27 kW
 VOLTAGE: 400V~3N
 FREQUENCY: 50/60 Hz



kg: 98
 m³: 0.894
 mm: 830x970x1110

BUY LOTUS BUY ITALY

The pictures are purely representative. The manufacturer reserves the right to modify the technical data and models without previous notice.



LOTUS S.P.A. Via Calmaor, 46
 31020 San Vendemiano(TV) - Italy
 Tel. + 39 0438 778020 / 778468
 Fax + 39 0438 778277
 www.lotuscookers.it - lotus@lotuscookers.it