

# CPA-94ETT

90 IPERLOTUS TOUCH

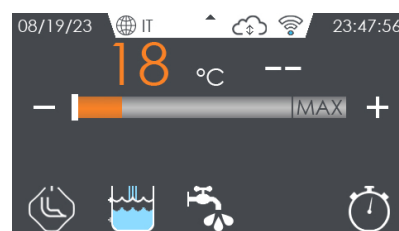
ELECTRIC PASTA COOKERS - TOUCH



Pasta cooker threephase 40 lts. Tank cm. 30,7x50,9x32,7h. Touch Screen 4,3", temperature up to 80°C then MAX. "Energy Saving, WiFi and CLOUD". Functions: 4 timer, steam cooking, 3 water loading speeds, core probe for sous vide cooking (OPTIONAL). Automatic Water loading with level sensor - overflow device and floor draining (BASKETS EXCLUDED) (included 1 Head end filler strip mod.TPA-9)



Construction -Fabricated using CrNi 18/10 AISI 304 grade Stainless Steel Scotch-Brite Satin polish Finish, incorporating 2mm thick worktop, rounded edges, chrome details and rear splash back. AISI 316 stainless steel tank. Knobs with waterproof grades IPX5 and 4.3" capacitive touch screen. Model - Professional electric pasta cookers, with automatic water loading and level sensor. Equipped with a single or double moulded tank, with bottom grid and high-yield armoured resistor, for fast boiling point reaching. Display with thermostatic adjustment up to 80°C and then setting to MAX to ensure safe and constant boiling. 4 timers maximum 99 minutes, maximum or minimum level selection button to generate constant steam, 3-speed slow refill function for various foaming needs. With the OPTIONAL core probe it is possible to activate the menu for controlled sous-vide cooking. Equipped with a safety thermostat. Standard WiFi and CLOUD, designed for connection to an external "ENERGY SAVING" system. Baskets (excluded) in perforated s/s, available in various types and sizes, for simultaneous multi-firing with excellent results. Equipped with overflow device and floor draining. Maintenance - All serviceable parts are accessible by the easy removal of front dashboard. Tank cleaning facilitated by rotatable heating elements. Fittings - Appliance is supplied with adjustable feet.



ITALIAN CULINARY ART

The pictures are purely representative. The manufacturer reserves the right to modify the technical data and models without previous notice.

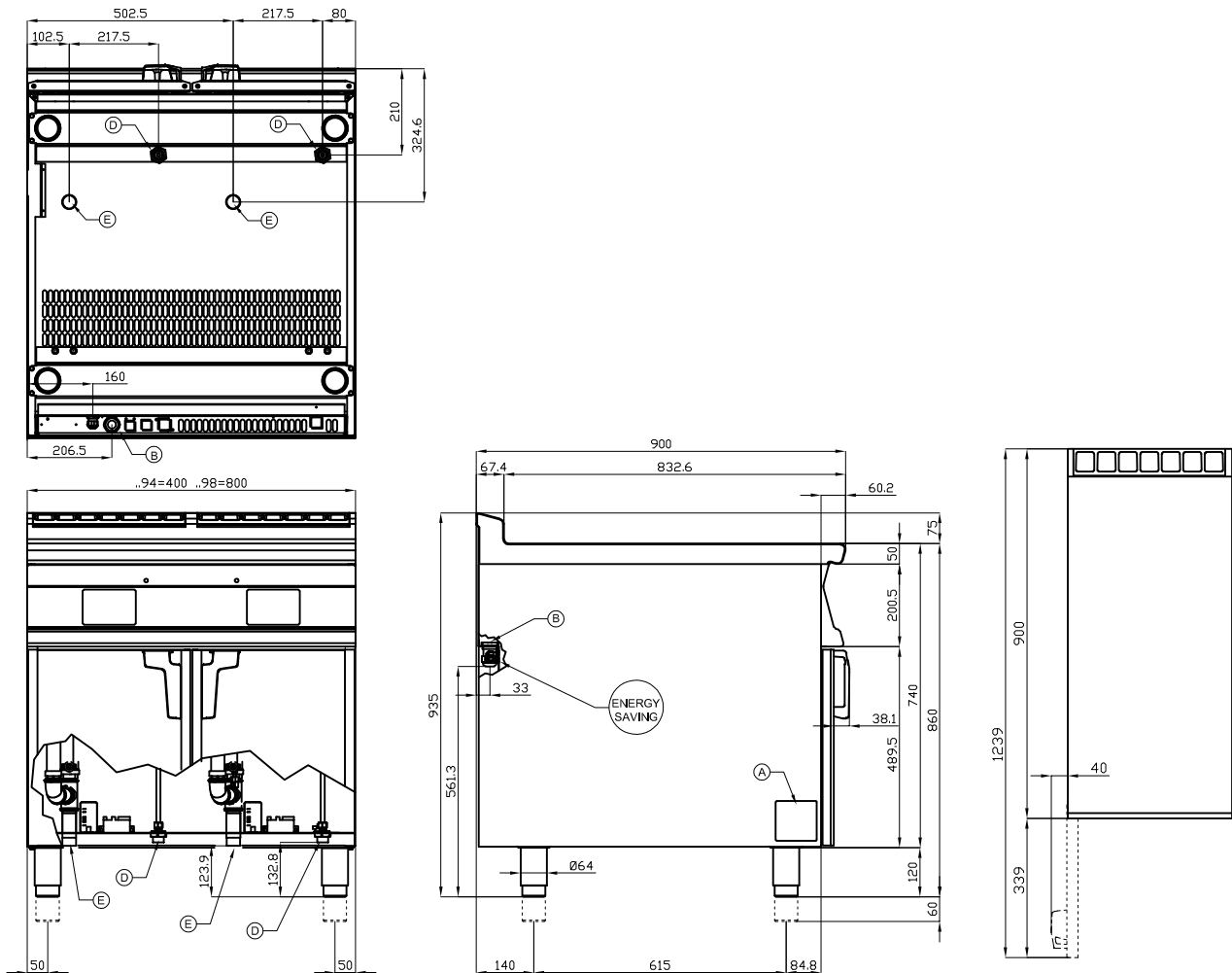
# CPA-94ETT

90 IPERLOTUS TOUCH

ELECTRIC PASTA COOKERS - TOUCH

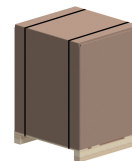


View 3D



A	Data plate		B	Electrical connection	
D	Cold water connection	ISO 7-1 3/4" M	E	Water drainage	ISO 7-1 1" M

MODEL: CPA-94ETT  
 DIMENSIONS: cm. 40x 90x 90h  
 ELECTRIC POWER: 13,5 kW  
 VOLTAGE: 400V~3N  
 FREQUENCY: 50/60 Hz



kg: 57  
 m<sup>3</sup>: 0.463  
 mm: 430x970x1110

BUY LOTUS BUY ITALY

The pictures are purely representative. The manufacturer reserves the right to modify the technical data and models without previous notice.



LOTUS S.P.A. Via Calmaor, 46  
 31020 San Vendemiano(TV) - Italy  
 Tel. + 39 0438 778020 / 778468  
 Fax + 39 0438 778277  
 www.lotuscookers.it - lotus@lotuscookers.it