

# CP-66G

## 60 MAGICLOTUS GAS PASTA COOKERS



Gas pasta cooker on cabinet Tank capacity 40  
lts. cm. 51x30,7x32,7h. Water loading tap +  
overflow device and floor draining (BASKETS  
EXCLUDED)



Construction -Fabricated using CrNi 18/10 AISI 304 grade Stainless Steel Scotch-Brite Satin polish Finish, incorporating 1mm thick worktop, rounded edges, chrome details and rear splash back. Tanks fabricated in AISI 316. Knobs with waterproof grades IPX5. Model - Professional Gas Pasta Cooker, possible automatic water loading with level sensor. Single tank incorporating built in water fill tap, overflow safety valve and floor drain. Perforated pasta baskets with safety handles, available in different sizes for multiple product cooking. Piezoelectric ignition, pilot light. Thermocouple safety valves. Security in bowl by water presence sensor. Maintenance - All serviceable parts are accessible by the easy removal of front control panel. Fittings - Appliance is supplied with both LPG and Natural Gas conversion jets and adjustable feet.



ITALIAN CULINARY ART

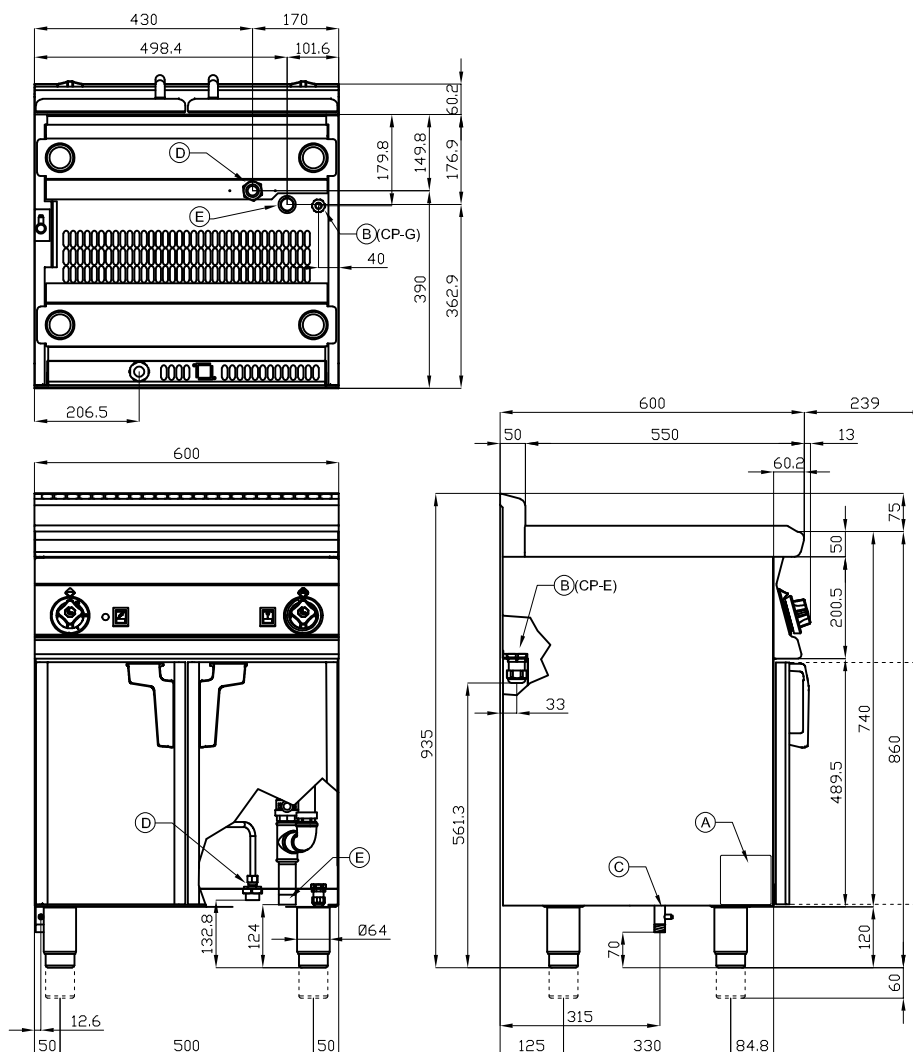
The pictures are purely representative. The manufacturer reserves the right to modify the technical data and models without previous notice.

# CP-66G

## 60 MAGICLOTUS GAS PASTA COOKERS

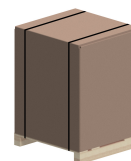


View 3D



|   |                |                |   |                       |                |
|---|----------------|----------------|---|-----------------------|----------------|
| A | Data plate     |                | B | Electrical connection |                |
| C | Gas connection | ISO 7-1 1/2" M | D | Cold water connection | ISO 7-1 3/4" M |
| E | Water drainage | ISO 7-1 1" M   |   |                       |                |

**MODEL:** CP-66G  
**DIMENSIONS:** cm. 60x 60x 90h  
**GAS POWER:** 13,95 kW / 11.997 kcal/h  
**GAS TYPE:** Natural Gas / LPG  
**ELECTRIC POWER:** 0,02 KW  
**VOLTAGE:** 230V~  
**FREQUENCY:** 50/60 Hz



**kg:** 84  
**m<sup>3</sup>:** 0.469  
**mm:** 630x670x1110

BUY LOTUS BUY ITALY

The pictures are purely representative. The manufacturer reserves the right to modify the technical data and models without previous notice.



LOTUS S.P.A. Via Calmaor, 46  
 31020 San Vendemiano(TV) - Italy  
 Tel. + 39 0438 778020 / 778468  
 Fax + 39 0438 778277  
[www.lotuscookers.it](http://www.lotuscookers.it) - [lotus@lotuscookers.it](mailto:lotus@lotuscookers.it)