

CP-558G

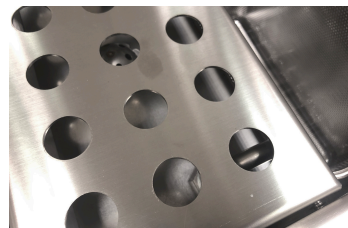
110 2WAYSLOTUS GAS PASTA COOKERS



Gas pasta cooker 40 lts. Tank cm.
51x30,7x32,7h. Water loading cock +
overflow device and floor draining (BASKETS
EXCLUDED) (included 1 Head end filler strip
mod.TPA-55)



Construction -Fabricated using CrNi 18/10 AISI 304 grade Stainless Steel Scotch-Brite Satin polish Finish, incorporating 2 mm thick worktop, rounded edges, chrome details. Tanks fabricated in AISI 316. Knobs with waterproof grades IPX5. Model - Professional Gas Pasta Cooker, possible automatic water loading with level sensor. Incorporating built in water fill tap, overfill safety valve and floor drain. Perforated pasta baskets with safety handles, available in different sizes for multiple product cooking. Electric ignition, pilot light. Thermocouple safety valves. Security in bowl by water presence sensor. Maintenance - All serviceable parts are accessible by the easy removal of front control panel. Fittings - Appliance is supplied with both LPG and Natural Gas conversion jets and adjustable feet.



ITALIAN CULINARY ART

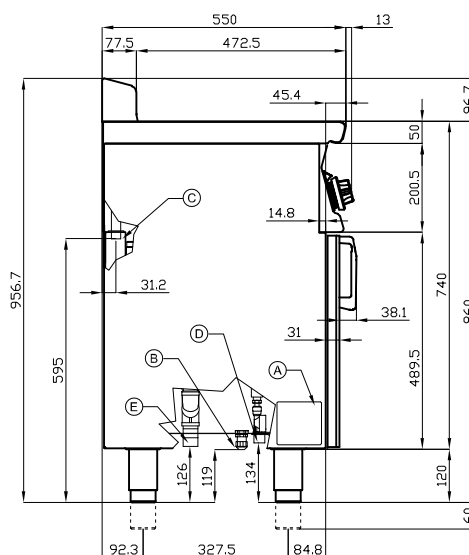
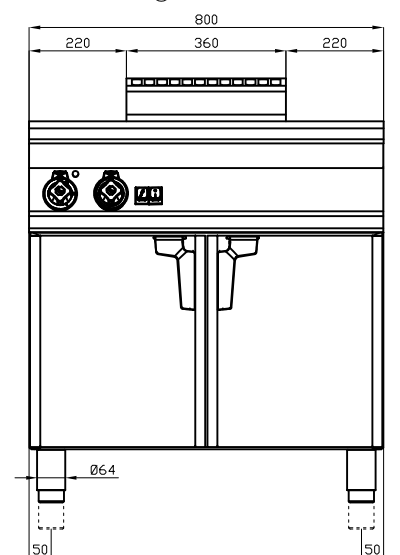
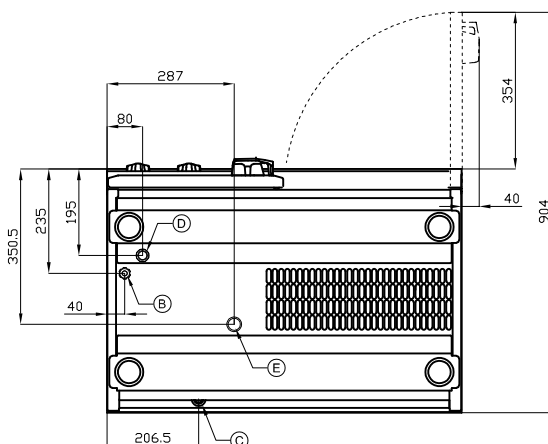
The pictures are purely representative. The manufacturer reserves the right to modify the technical data and models without previous notice.

CP-558G

110 2WAYSLOTUS
GAS PASTA COOKERS

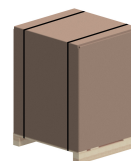


View 3D



A	Data plate		B	Electrical connection	
C	Gas connection	ISO 7-1 1/2" M	D	Cold water connection	ISO 7-1 3/4" M
E	Water drainage	ISO 7-1 1" M			

MODEL: CP-558G
 DIMENSIONS: cm. 80x 55x 90h
 GAS POWER: 13,95 kW / 11.997 kcal/h
 GAS TYPE: Natural Gas / LPG
 ELECTRIC POWER: 0,02 kW
 VOLTAGE: 230V~
 FREQUENCY: 50/60 Hz



kg: 84
 m³: 0.617
 mm: 830x670x1110

BUY LOTUS BUY ITALY

The pictures are purely representative. The manufacturer reserves the right to modify the technical data and models without previous notice.



LOTUS S.P.A. Via Calmaor, 46
 31020 San Vendemiano(TV) - Italy
 Tel. + 39 0438 778020 / 778468
 Fax + 39 0438 778277
 www.lotuscookers.it - lotus@lotuscookers.it