

CP-558ET

110 2WAYSLOTUS

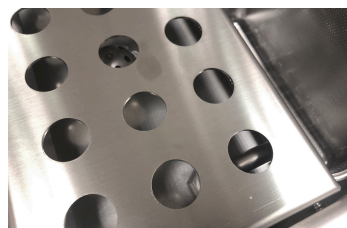
ELECTRIC PASTA COOKERS



Electric Pasta cooker 40 lts Tank cm.
51x30,7x32,7h. Water loading cock +
overflow device and floor draining (BASKETS
EXCLUDED) (included 1 Head end filler strip
mod.TPA-55)



Construction - Fabricated using CrNi 18/10 AISI 304 grade Stainless Steel Scotch-Brite Satin polish Finish, incorporating 2 mm thick worktop, rounded edges, chrome details. Tank fabricated in AISI 316. Knobs with waterproof grades IPX5. Model - Professional Electric Pasta Cookers, possible automatic water loading and with level sensor. Incorporating built in water fill tap, overfill safety valve and floor drain. Perforated pasta baskets with safety handles, available in different sizes for multiple product cooking. High performance tubular heating elements, safety thermostat and 4-position switch control. Maintenance - All serviceable parts are accessible by the easy removal of front control panel. Tank cleaning facilitated by rotating coils. Fittings - Appliance is supplied with adjustable feet.

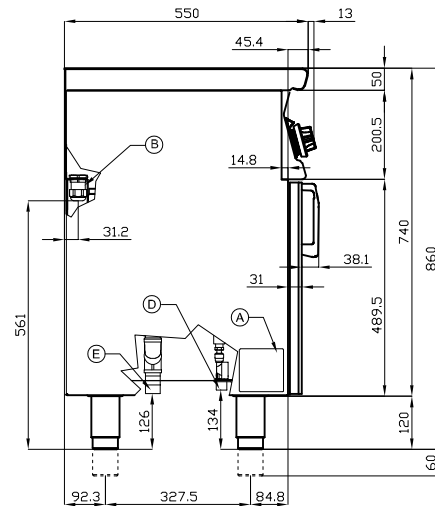
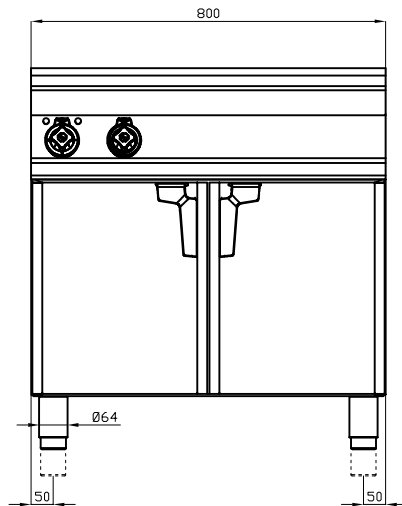
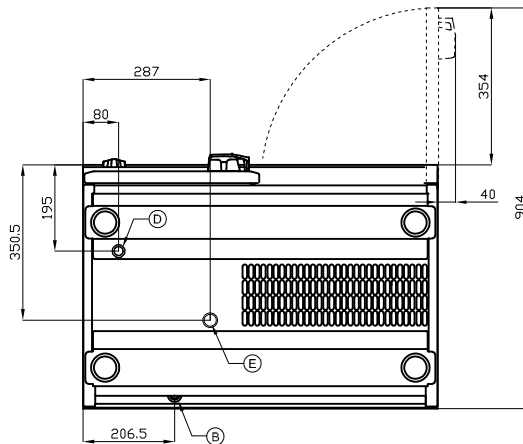


ITALIAN CULINARY ART

The pictures are purely representative. The manufacturer reserves the right to modify the technical data and models without previous notice.

CP-558ET

110 2WAYSLOTUS
ELECTRIC PASTA COOKERS



A	Data plate		B	Electrical connection	
D	Cold water connection	ISO 7-1 3/4" M	E	Water drainage	ISO 7-1 1" M

MODEL: CP-558ET
 DIMENSIONS: cm. 80x 55x 90h
 ELECTRIC POWER: 13,5 kW
 VOLTAGE: 400V~3N
 FREQUENCY: 50/60 Hz



kg: 72
 m³: 0.617
 mm: 830x670x1110

BUY LOTUS BUY ITALY

The pictures are purely representative. The manufacturer reserves the right to modify the technical data and models without previous notice.



LOTUS S.P.A. Via Calmaor, 46
 31020 San Vendemiano(TV) - Italy
 Tel. + 39 0438 778020 / 778468
 Fax + 39 0438 778277
www.lotuscookers.it - lotus@lotuscookers.it