

CFA6-712GPV

70 SUPERLOTUS

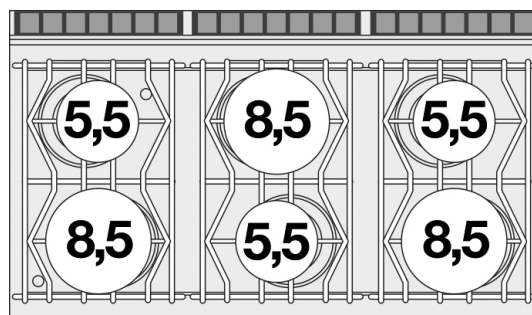
GAS WATER FED COOKERS



Water range - N. 6 burners - Traditional gas-oven cm. 67x55x34h, temp: 150÷300°C, with 1 grid cm.65x53 GN2/1 - Neutral cabinet with door - Water loading tap + overflow device (included 1 Head end filler strip mod.TPA-7)



Construction - Fabricated using CrNi 18/10 AISI 304 grade Stainless Steel Scotch-Brite Satin polish Finish, incorporating 2mm thick worktop, rounded edges, chromed details and rear splash back. Knobs with waterproof grades IPX5. Model - Professional Gas, Water fed Cooker with GN 2/1 Static Gas Oven. Burner pilot light ignition, taps with thermocouple safety valve. Modulating flame burners, grills in stainless steel rods. Water tank or mains fed options with overflow valve. Piezoelectric ignition oven with 150 - 300degC control, thermocouple safety valves. Maintenance - All serviceable parts are accessible by the easy removal of front control panel. Fittings - Appliance is supplied with both LPG and Natural Gas conversion jets and adjustable feet.



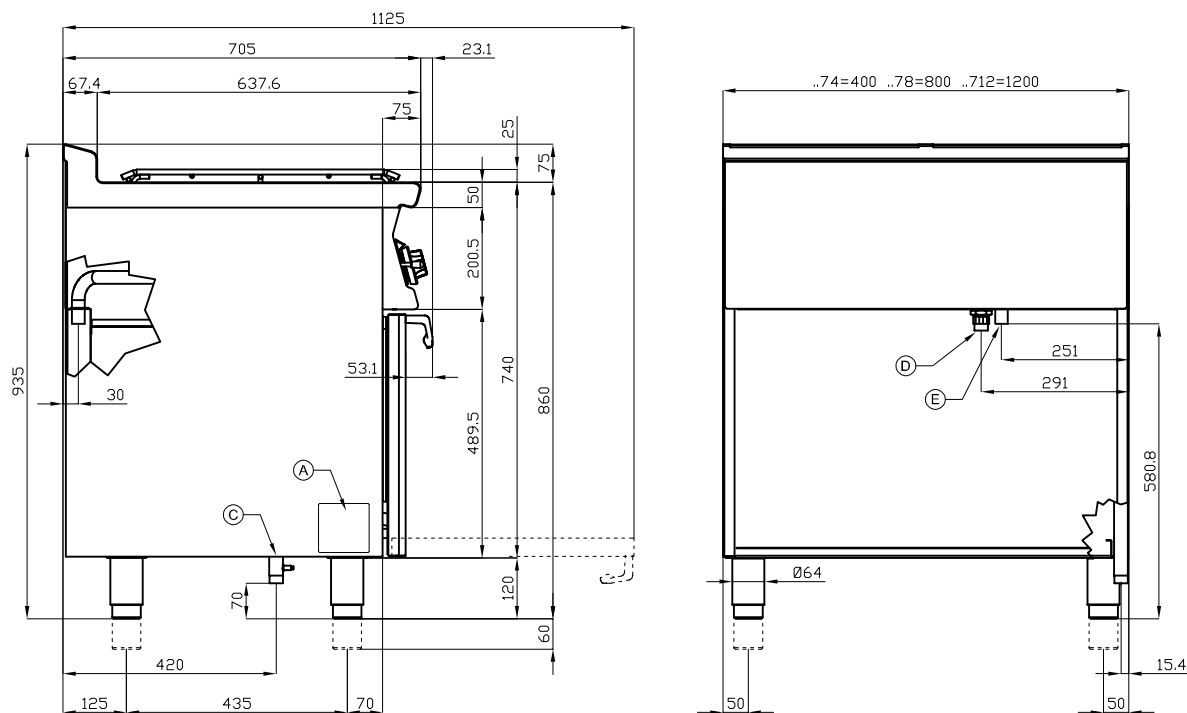
ITALIAN CULINARY ART

The pictures are purely representative. The manufacturer reserves the right to modify the technical data and models without previous notice.

CFA6-712GPV

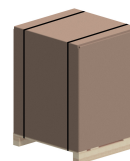
70 SUPERLOTUS

GAS WATER FED COOKERS



A	Data plate		C	Gas connection	ISO 7-1 3/4" M
D	Cold water connection	ISO 7-1 3/4" M	E	Water drainage	Ø25mm

MODEL: CFA6-712GPV
 DIMENSIONS: cm. 120x 70,5x 90h
 GAS POWER: 49,3 kW / 42.398 kcal/h
 GAS TYPE: Natural Gas / LPG



kg: 178
 m³: 1.051
 mm: 1230x770x1110

BUY LOTUS BUY ITALY

The pictures are purely representative. The manufacturer reserves the right to modify the technical data and models without previous notice.



LOTUS S.P.A. Via Calmaor, 46
 31020 San Vendemiano(TV) - Italy
 Tel. + 39 0438 778020 / 778468
 Fax + 39 0438 778277
 www.lotuscookers.it - lotus@lotuscookers.it