

CF6-912G

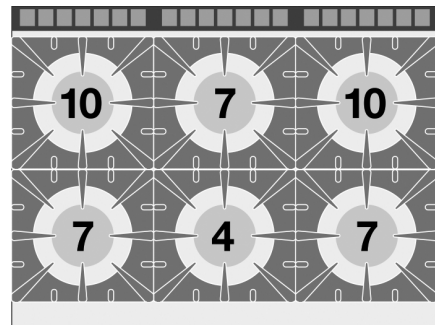
90 IPERLOTUS
GAS COOKERS



Gas Range - N. 6 burners Traditional gas-oven cm. 107x73x34h, temp: 150÷300°C, with 1 grid cm.105x71 (included 1 Head end filler strip mod.TPC-9)



Construction - Fabricated using CrNi 18/10 AISI 304 grade Stainless Steel Scotch-Brite Satin polish Finish, incorporating 2mm thick worktop, rounded edges, chromed details and rear splash back. Knobs with waterproof grades IPX5. Model - Professional Gas Cooker with static GN 2/1-GN 3/1 gas oven, with or without side compartment. Burners with pilot light ignition and thermocouple safety valves. Modulating flame burners, grills in cast iron or stainless steel rods, removable liquid collectors. Piezoelectric ignition oven with 150 - 300degC control, thermocouple safety valves. Maintenance - All serviceable parts are accessible by the easy removal of front control panel and liquid collectors. Fittings - Appliance is supplied with both LPG and Natural Gas conversion jets and adjustable feet.



ITALIAN CULINARY ART

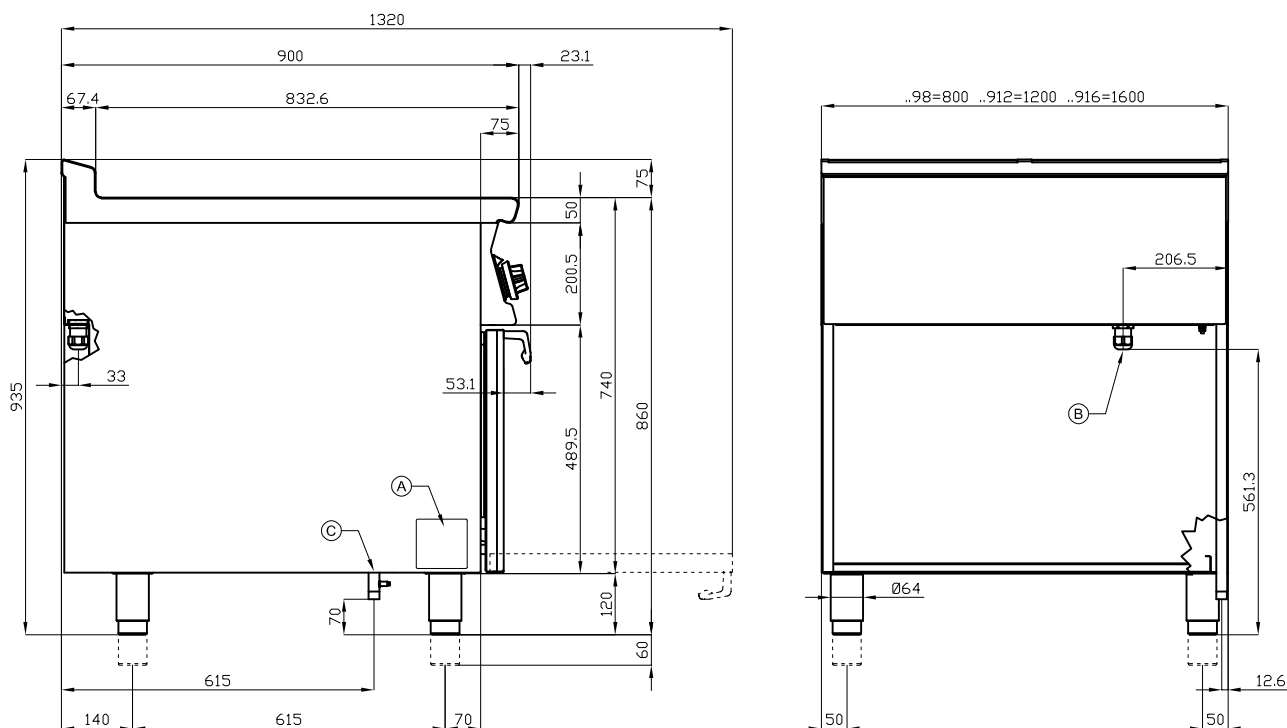
The pictures are purely representative. The manufacturer reserves the right to modify the technical data and models without previous notice.

CF6-912G

90 IPERLOTUS
GAS COOKERS



View 3D



A	Data plate		C	Gas connection	ISO 7-1 3/4" M
---	------------	--	---	----------------	----------------

MODEL: CF6-912G
DIMENSIONS: cm. 120x 90x 90h
GAS POWER: 58 kW / 49.820 kcal/h
GAS TYPE: Natural Gas / LPG



kg: 236
m³: 1.324
mm: 1230x970x1110

BUY LOTUS BUY ITALY

The pictures are purely representative. The manufacturer reserves the right to modify the technical data and models without previous notice.



LOTUS S.P.A. Via Calmaor, 46
31020 San Vendemiano (TV) - Italy
Tel. + 39 0438 778020 / 778468
Fax + 39 0438 778277
www.lotuscookers.it - lotus@lotuscookers.it