

# CF4-98ET

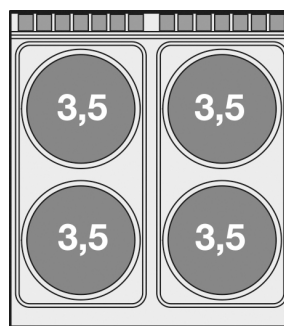
## 90 IPERLOTUS ELECTRIC COOKERS



Electric range - N. 4 plates Traditional  
electric oven cm. 67x73x34h, temp:  
50÷300°C, with 1 grid cm.65x71 GN2/1  
(included 1 Head end filler strip mod.TPA-9)



Construction - Fabricated using CrNi 18/10 AISI 304 grade Stainless Steel Scotch-Brite Satin polish Finish, incorporating 2mm thick worktop, rounded edges, chromed details and rear splash back. Knobs with waterproof grades IPX5. Model - Professional Electric Cooker with static or ventilated electric oven, with or without side compartment. Cast Iron square or round hot plates with steel border seals, seven position switch and temperature limiter. Ceramic glass tops with radiant heat hot plates on entire cook top and warning lights for residual heat, electric oven with 50 - 300degC control. Maintenance - All serviceable parts are accessible by the easy removal of front control panel. Fittings - Appliance is supplied with adjustable feet.



ITALIAN CULINARY ART

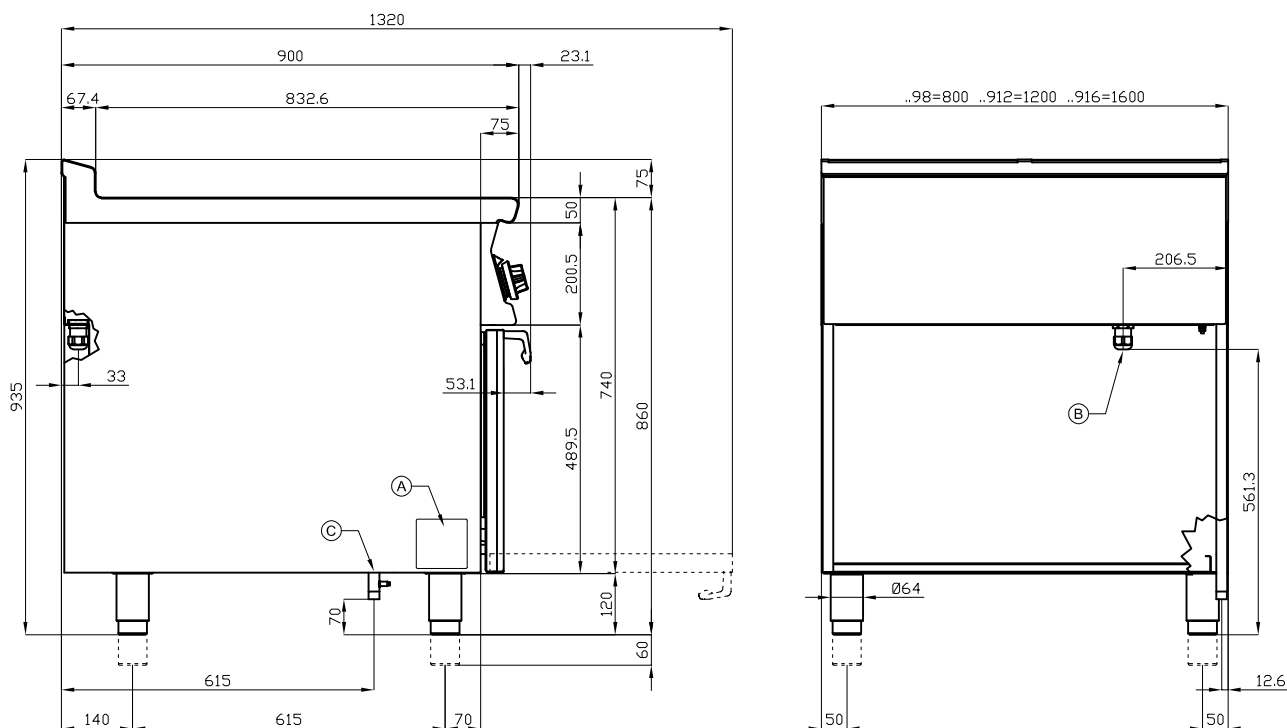
The pictures are purely representative. The manufacturer reserves the right to modify the technical data and models without previous notice.

# CF4-98ET

90 IPERLOTUS  
ELECTRIC COOKERS

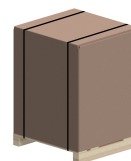


View 3D



|   |            |  |   |                       |  |
|---|------------|--|---|-----------------------|--|
| A | Data plate |  | B | Electrical connection |  |
|---|------------|--|---|-----------------------|--|

MODEL: CF4-98ET  
DIMENSIONS: cm. 80x 90x 90h  
ELECTRIC POWER: 20,7 kW  
VOLTAGE: 400V~3N  
FREQUENCY: 50/60 Hz



kg: 142  
m<sup>3</sup>: 0.894  
mm: 830x970x1110

BUY LOTUS BUY ITALY

The pictures are purely representative. The manufacturer reserves the right to modify the technical data and models without previous notice.



LOTUS S.P.A. Via Calmaor, 46  
31020 San Vendemiano(TV) - Italy  
Tel. + 39 0438 778020 / 778468  
Fax + 39 0438 778277  
www.lotuscookers.it - lotus@lotuscookers.it