

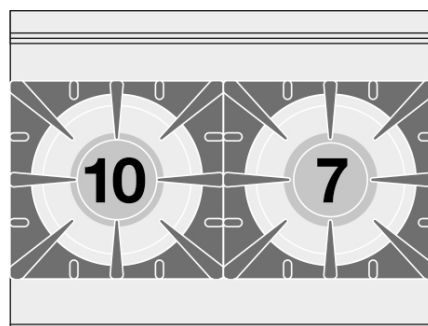
CF2-58G

55 IPERLOTUS GAS COOKERS

Gas range - N. 2 burners Gas static oven with grill cm. 67x38x34h, temp: 50÷250°C, with 1 grid cm.65x36



Construction - Fabricated using CrNi 18/10 AISI 304 grade Stainless Steel Scotch-Brite Satin polish Finish, incorporating 1mm thick worktop, rounded edges, chromed details and rear splash back. Knobs with waterproof grades IPX5. **Model** - Professional Gas Cooker with 2/3 burners and static gas oven. Burners with pilot light ignition and thermocouple safety valves. Modulating flame burners, grills in cast iron, removable liquid collectors. Spacious oven with wide door, piezoelectric ignition, fitted with gas grill and timer. Flue at rear, complete with safety devices. **Maintenance** - All serviceable parts are accessible by the easy removal of front control panel and liquid collectors. **Fittings** - Appliance is supplied with both LPG and Natural Gas conversion jets and adjustable feet.

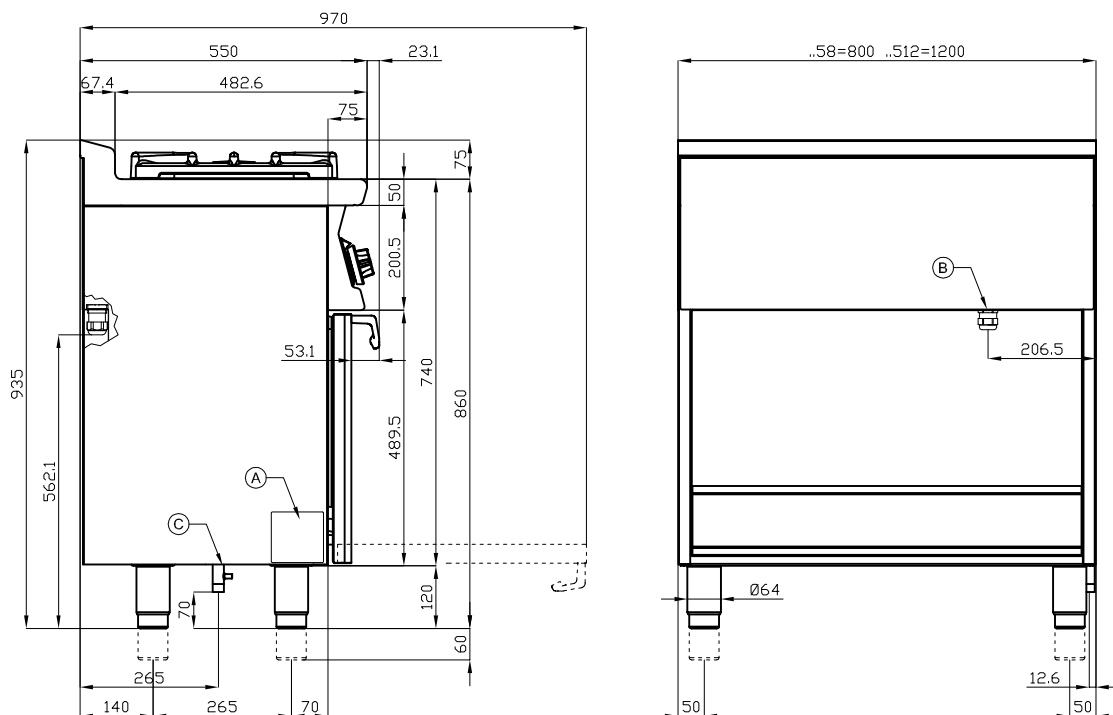


ITALIAN CULINARY ART

The pictures are purely representative. The manufacturer reserves the right to modify the technical data and models without previous notice.

CF2-58G

55 IPERLOTUS
GAS COOKERS



A	Data plate	C	Gas connection	ISO 7-1 1/2" M
---	------------	---	----------------	----------------

MODEL: CF2-58G
DIMENSIONS: cm. 80x 55x 90h
GAS POWER: 21 kW / 18.060 kcal/h
GAS TYPE: Natural Gas / LPG



kg: 122
m³: 0.612
mm: 830x670x1100

BUY LOTUS BUY ITALY

The pictures are purely representative. The manufacturer reserves the right to modify the technical data and models without previous notice.



LOTUS S.P.A. Via Calmaor, 46
31020 San Vendemiano (TV) - Italy
Tel. + 39 0438 778020 / 778468
Fax + 39 0438 778277
www.lotuscookers.it - lotus@lotuscookers.it