

# CF2-58GE

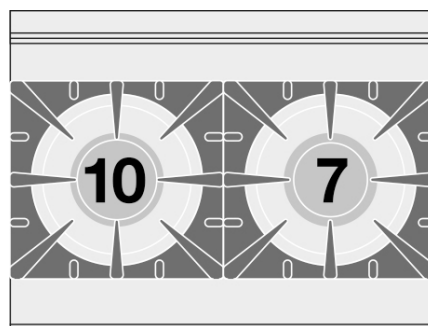
55 IPERLOTUS

GAS COOKERS WITH ELECTRIC OVEN

Gas range - N. 2 burners Electric static oven with grill cm. 67x38x34h, temp: 50÷250°C, with 1 grid cm.65x36



Construction - Fabricated using CrNi 18/10 AISI 304 grade Stainless Steel Scotch-Brite Satin polish Finish, incorporating 1mm thick worktop, rounded edges, chromed details and rear splash back. Knobs with waterproof grades IPX5. Model - Professional Gas Cooker with 2/3 burners and static electric oven. Burners with pilot light ignition and thermocouple safety valves. Modulating flame burners, grills in cast iron, removable liquid collectors. Spacious oven with wide door, fitted with electric grill, timer as well as general indicator light and thermostat light. Maintenance - All serviceable parts are accessible by the easy removal of front control panel and liquid collectors. Fittings - Appliance is supplied with both LPG and Natural Gas conversion jets and adjustable feet.



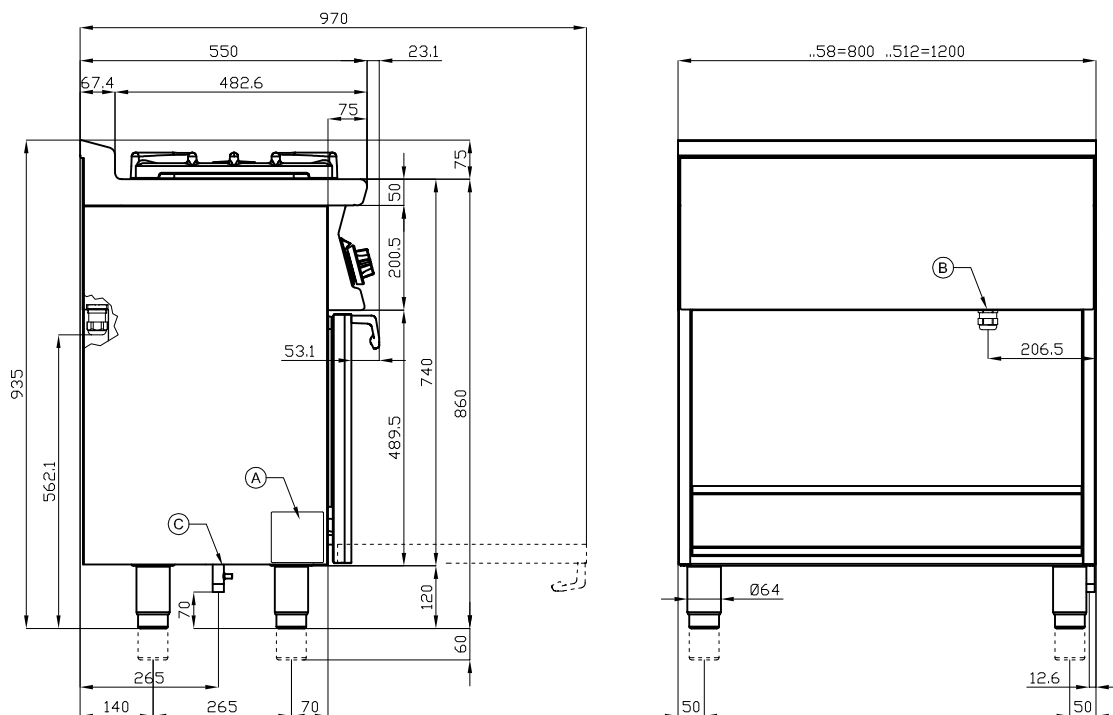
ITALIAN CULINARY ART

The pictures are purely representative. The manufacturer reserves the right to modify the technical data and models without previous notice.

# CF2-58GE

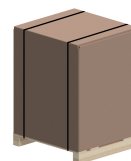
55 IPERLOTUS

GAS COOKERS WITH ELECTRIC OVEN



|   |                |                |   |                       |  |
|---|----------------|----------------|---|-----------------------|--|
| A | Data plate     |                | B | Electrical connection |  |
| C | Gas connection | ISO 7-1 1/2" M |   |                       |  |

**MODEL:** CF2-58GE  
**DIMENSIONS:** cm. 80x 55x 90h  
**GAS POWER:** 17 kW / 14.620 kcal/h  
**GAS TYPE:** Natural Gas / LPG  
**ELECTRIC POWER:** 3,05 kW  
**VOLTAGE:** 230V~  
**FREQUENCY:** 50/60 Hz



**kg:** 120  
**m<sup>3</sup>:** 0.612  
**mm:** 830x670x1100

BUY LOTUS BUY ITALY

The pictures are purely representative. The manufacturer reserves the right to modify the technical data and models without previous notice.



LOTUS S.P.A. Via Calmaor, 46  
 31020 San Vendemiano(TV) - Italy  
 Tel. + 39 0438 778020 / 778468  
 Fax + 39 0438 778277  
[www.lotuscookers.it](http://www.lotuscookers.it) - [lotus@lotuscookers.it](mailto:lotus@lotuscookers.it)