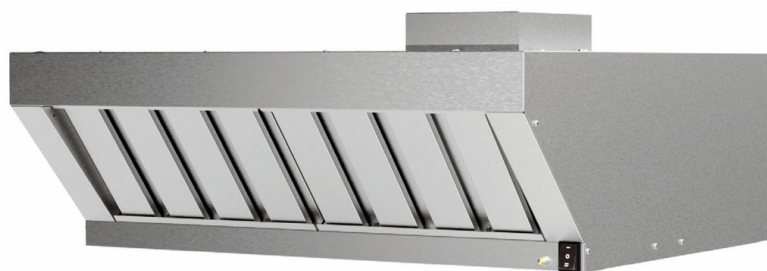


# CA-TL236

TOP LOTUS OVENS

OVENS ACCESSORIES "TOP"

Suction hood, air condensing, 1 speed, for  
oven TL236-DTE



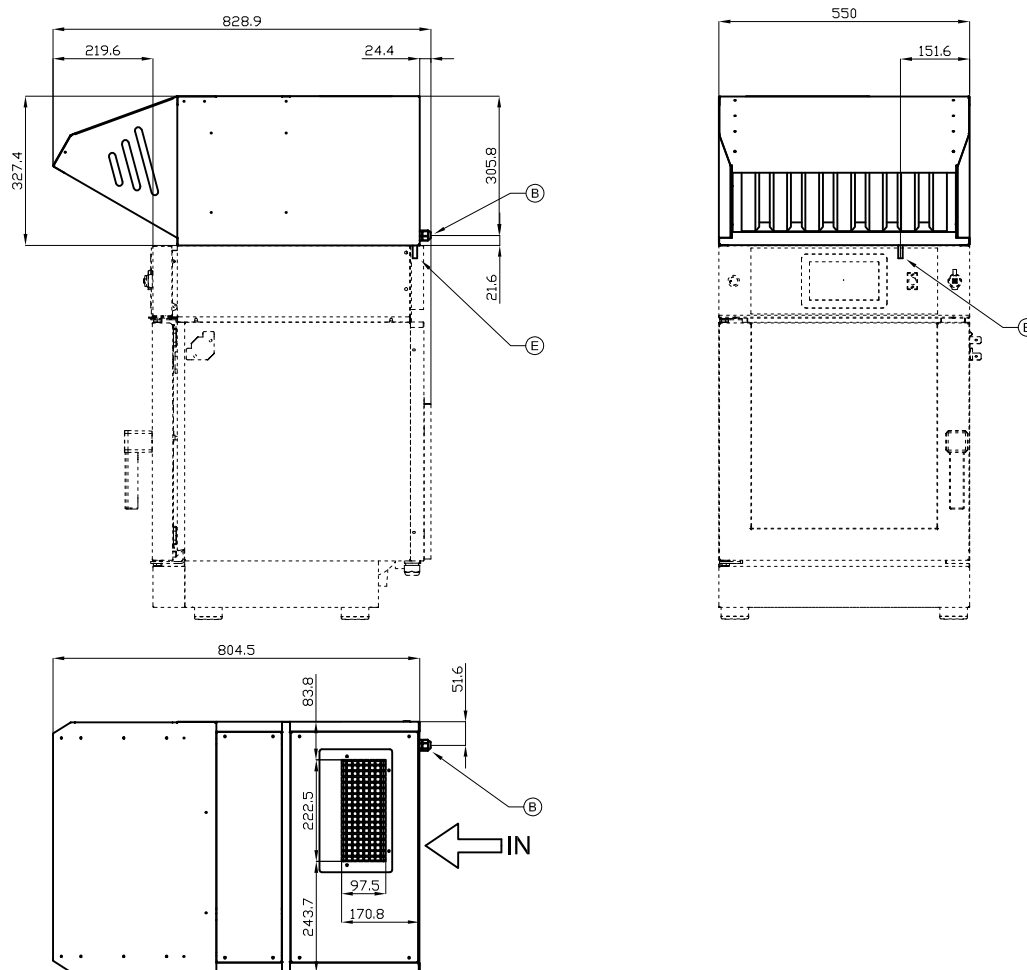
ITALIAN CULINARY ART

The pictures are purely representative. The manufacturer reserves the right to modify the technical data and models without previous notice.

# CA-TL236

TOP LOTUS OVENS

OVENS ACCESSORIES "TOP"



A	Data plate		B	Electrical connection	
E	Water drainage	Ø10mm			

MODEL: CA-TL236  
 DIMENSIONS: cm. 55x 86x 33h  
 ELECTRIC POWER: 0,2 kW  
 VOLTAGE: 230V~  
 FREQUENCY: 50/60 Hz



kg: 42  
 m<sup>3</sup>: 0.658  
 mm: 780x1140x740

BUY LOTUS BUY ITALY

The pictures are purely representative. The manufacturer reserves the right to modify the technical data and models without previous notice.



LOTUS S.P.A. Via Calmaor, 46  
 31020 San Vendemiano(TV) - Italy  
 Tel. + 39 0438 778020 / 778468  
 Fax + 39 0438 778277  
 www.lotuscookers.it - lotus@lotuscookers.it