

C-73/93

70 SUPERLOTUS TOP ACCESSORIES - TOP

Drawer set 300 N. 2 drawers with 2 inox
containers, telescopic guides.

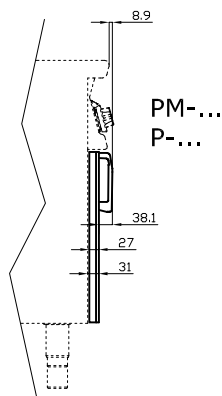


ITALIAN CULINARY ART

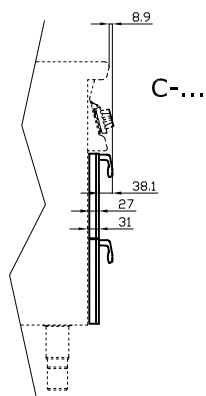
The pictures are purely representative. The manufacturer reserves the right to modify the technical data and models without previous notice.

C-73/93

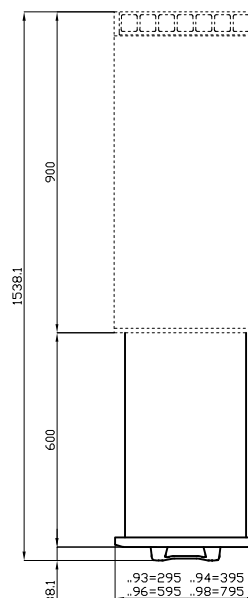
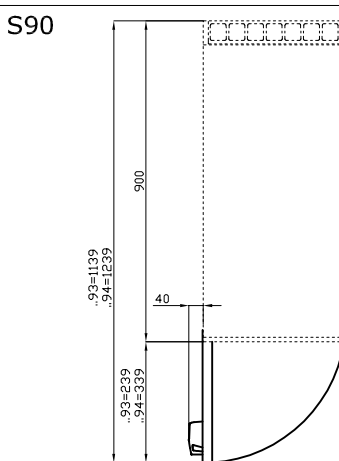
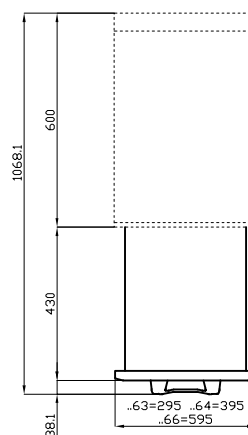
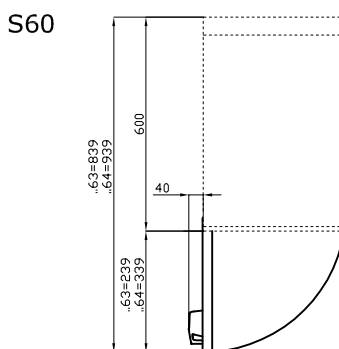
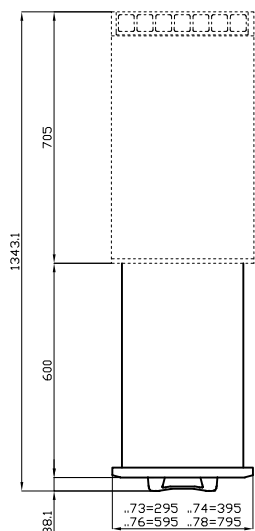
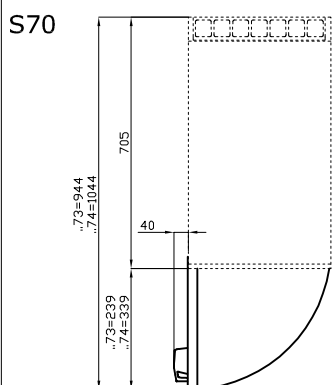
70 SUPERLOTUS TOP ACCESSORIES - TOP



PM-...
P-...

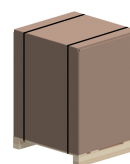


C-...



A	Data plate				
---	------------	--	--	--	--

MODEL: C-73/93
DIMENSIONS: cm. 29,5x 59x 47,5h



kg: 16
m³: 0.193
mm: 430x690x650

BUY LOTUS BUY ITALY

The pictures are purely representative. The manufacturer reserves the right to modify the technical data and models without previous notice.



LOTUS S.P.A. Via Calmaor, 46
31020 San Vendemiano (TV) - Italy
Tel. + 39 0438 778020 / 778468
Fax + 39 0438 778277
www.lotuscookers.it - lotus@lotuscookers.it