

# BST-74EM

70 SUPERLOTUS TOP

ELECTRIC CHIP DUMP WITH INFRARED HEATER - TOP

Fry dump singlephase with infra-red heater.  
Bowl cm. 30,5x51x16,5h with perforated  
double bottom (included 1 Head end filler  
strip mod.TPA-7)



Construction - Fabricated using CrNi 18/10 AISI 304 grade Stainless Steel  
Scotch-Brite Satin polish Finish, incorporating 2 mm thick worktop,  
rounded edges, chromed details and rear splash back. Knobs with  
waterproof grades IPX5. Model - Professional Electric Chip Dump with  
Infrared heater. Perforated false bottom tank. Maintenance - All  
serviceable parts are accessible by the easy removal of front control  
panel. Fittings - Appliance is supplied with adjustable feet.



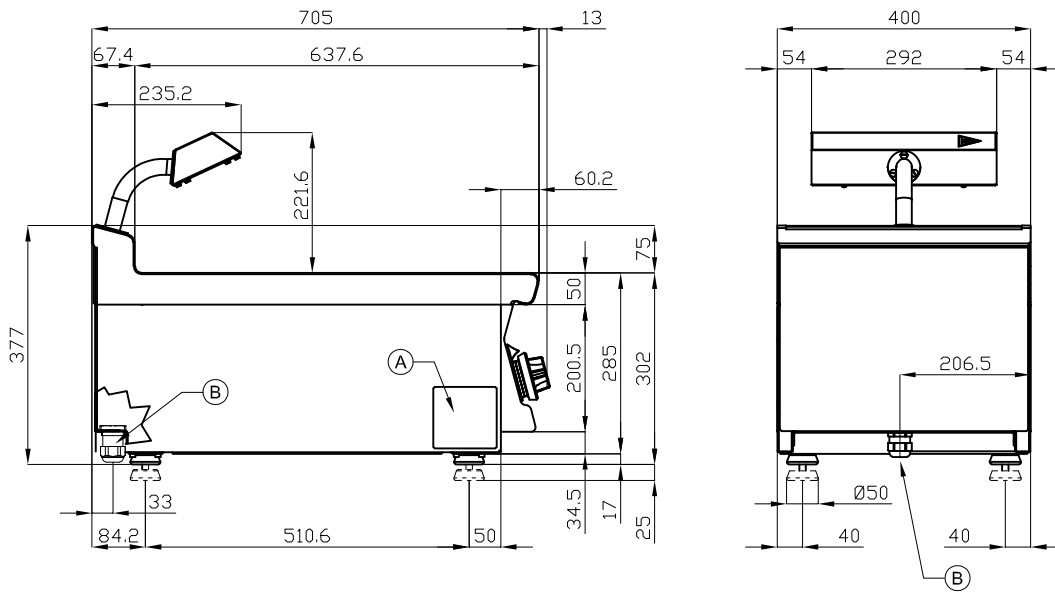
ITALIAN CULINARY ART

The pictures are purely representative. The manufacturer reserves the right to modify the technical data and models without previous notice.

# BST-74EM

70 SUPERLOTUS TOP

ELECTRIC CHIP DUMP WITH INFRARED HEATER - TOP



A	Data plate		B	Electrical connection	
---	------------	--	---	-----------------------	--

MODEL: BST-74EM  
DIMENSIONS: cm. 40x 70,5x 28h  
ELECTRIC POWER: 1,47 kW  
VOLTAGE: 230V~  
FREQUENCY: 50/60 Hz



kg: 36  
m<sup>3</sup>: 0.209  
mm: 430x770x630

BUY LOTUS BUY ITALY

The pictures are purely representative. The manufacturer reserves the right to modify the technical data and models without previous notice.



LOTUS S.P.A. Via Calmaor, 46  
31020 San Vendemiano(TV) - Italy  
Tel. + 39 0438 778020 / 778468  
Fax + 39 0438 778277  
www.lotuscookers.it - lotus@lotuscookers.it