

# BST-64EM

60 MAGICLOTUS

ELECTRIC CHIP DUMP WITH INFRARED HEATER - TOP



View 3D

Fry dump singlephase Bowl GN 2/3 h15 with perforated bottom



Construction - Fabricated using CrNi 18/10 AISI 304 grade Stainless Steel Scotch-Brite Satin polish Finish, incorporating 1mm thick worktop, rounded edges, chromed details and rear splash back. Knobs with waterproof grades IPX5. Model - Professional Electric Chip Dump with Infrared heater. Perforated false bottom tank. Maintenance - All serviceable parts are accessible by the easy removal of front control panel. Fittings - Appliance is supplied with adjustable feet.



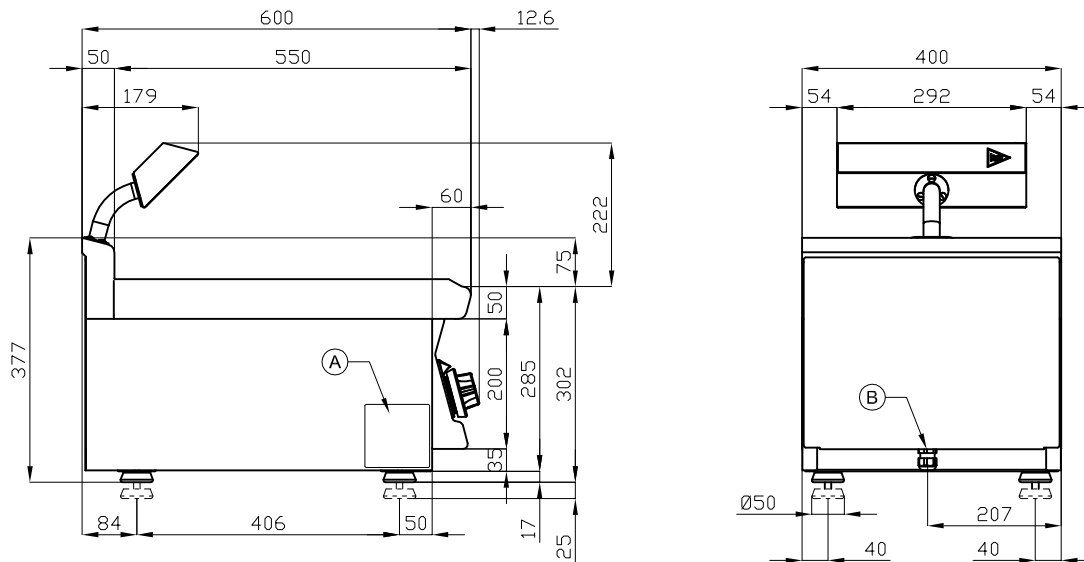
ITALIAN CULINARY ART

The pictures are purely representative. The manufacturer reserves the right to modify the technical data and models without previous notice.

# BST-64EM

60 MAGICLOTUS

ELECTRIC CHIP DUMP WITH INFRARED HEATER - TOP



A	Data plate	B	Electrical connection
---	------------	---	-----------------------

MODEL: BST-64EM  
DIMENSIONS: cm. 40x 60x 28h  
ELECTRIC POWER: 1,47 kW  
VOLTAGE: 230V~  
FREQUENCY: 50/60 Hz



kg: 22  
m<sup>3</sup>: 0.193  
mm: 430x690x650

BUY LOTUS BUY ITALY

The pictures are purely representative. The manufacturer reserves the right to modify the technical data and models without previous notice.



LOTUS S.P.A. Via Calmaor, 46  
31020 San Vendemiano(TV) - Italy  
Tel. + 39 0438 778020 / 778468  
Fax + 39 0438 778277  
www.lotuscookers.it - lotus@lotuscookers.it