

BSD-64EM

ELECTRIC FREELOTUS

ELECTRIC CHIP DUMP WITH INFRARED HEATER 60

Fry dump singlephase with infra-red heater.
Bowl cm. 30,5x51x16,5h with perforated
double bottom



Construction - Fabricated using CrNi 18/10 AISI 304 grade Stainless Steel
Scotch-Brite Satin polish Finish, incorporating 2 mm thick worktop,
chromed details. Model - Professional Electric Chip Dump with Infrared
heater. Perforated false bottom tank. Fittings - Fixing system.



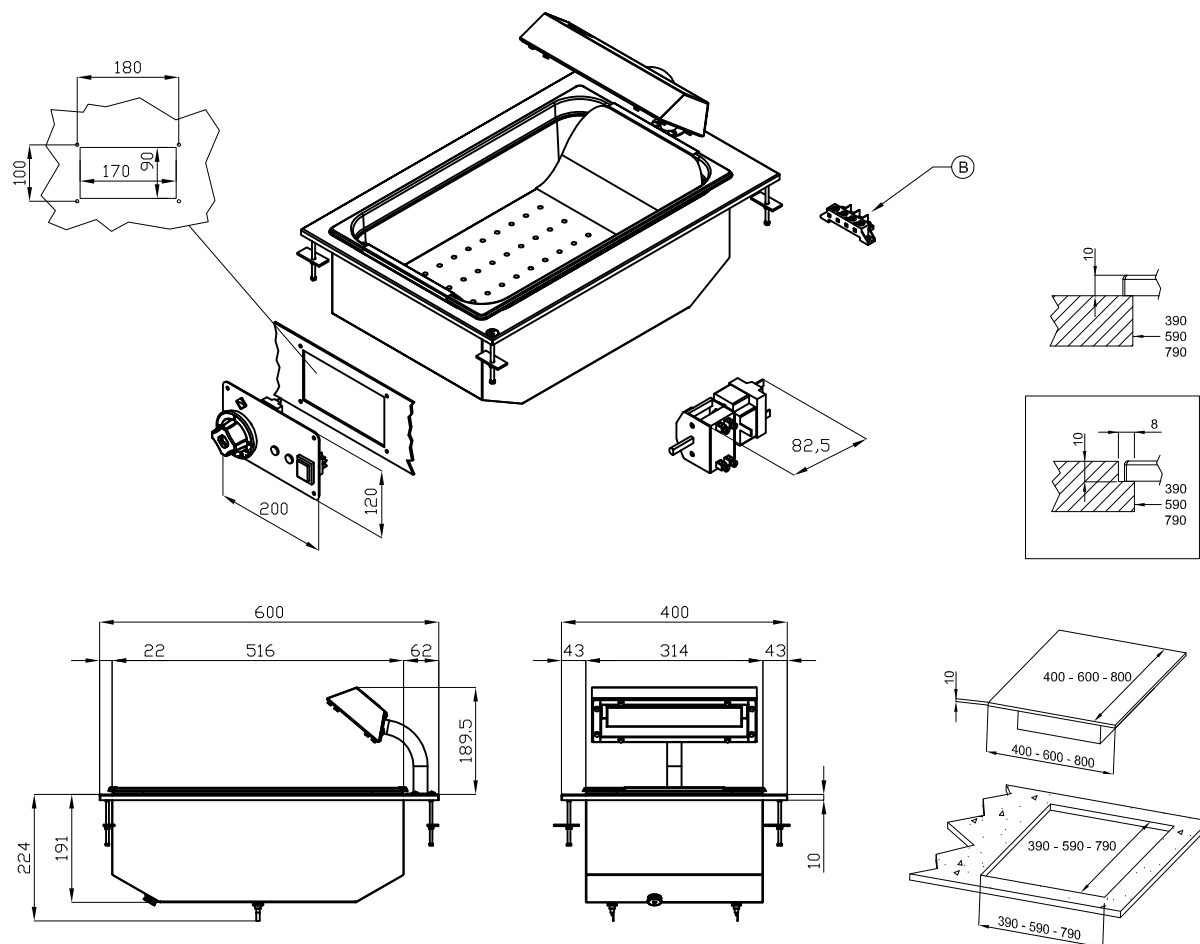
ITALIAN CULINARY ART

The pictures are purely representative. The manufacturer reserves the right to modify the technical data and models without previous notice.

BSD-64EM

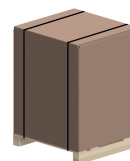
ELECTRIC FREELOTUS

ELECTRIC CHIP DUMP WITH INFRARED HEATER 60



A	Data plate	B	Electrical connection
---	------------	---	-----------------------

MODEL: BSD-64EM
 DIMENSIONS: cm. 40x 60x 25h
 ELECTRIC POWER: 1,47 kW
 VOLTAGE: 230V~
 FREQUENCY: 50/60 Hz



kg: 20
 m³: 0.127
 mm: 430x630x470

BUY LOTUS BUY ITALY

The pictures are purely representative. The manufacturer reserves the right to modify the technical data and models without previous notice.



LOTUS S.P.A. Via Calmaor, 46
 31020 San Vendemiano(TV) - Italy
 Tel. + 39 0438 778020 / 778468
 Fax + 39 0438 778277
 www.lotuscookers.it - lotus@lotuscookers.it