

BS-94EM

90

ELECTRIC CHIP DUMP WITH INFRARED HEATER

Fry dump singlephase with infra-red heater on open cabinet. Bowl cm. 30,5x51x16,5h with perforated double bottom (included 1 Head end filler strip mod.TPA-9)



Construction - Fabricated using CrNi 18/10 AISI 304 grade Stainless Steel Scotch-Brite Satin polish Finish, incorporating 2mm thick worktop, rounded edges, chromed details and rear splash back. Knobs with waterproof grades IPX5. Model - Professional Electric Chip Dump with Infrared heater on open cabinet. Perforated false bottom tank.

Maintenance - All serviceable parts are accessible by the easy removal of front control panel. **Fittings** - Appliance is supplied with adjustable feet, Doors not Included.



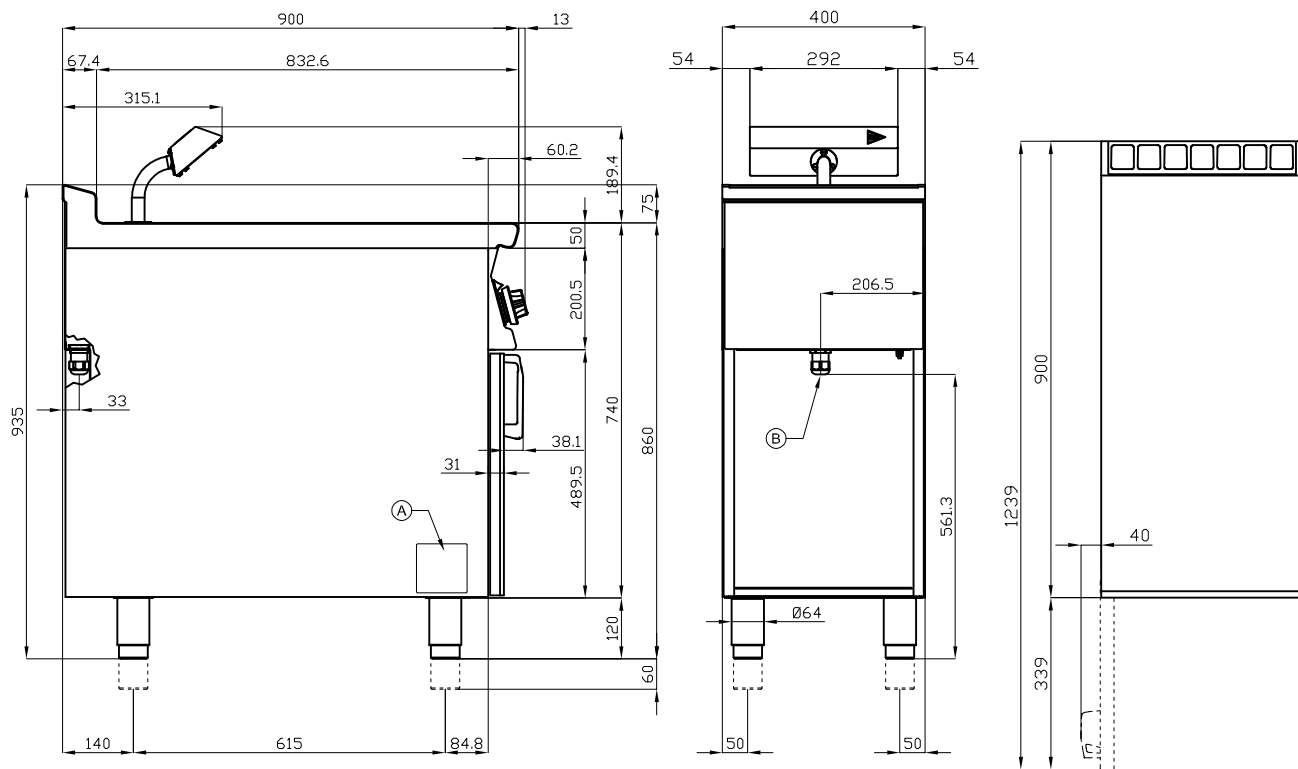
ITALIAN CULINARY ART

The pictures are purely representative. The manufacturer reserves the right to modify the technical data and models without previous notice.

BS-94EM

90

ELECTRIC CHIP DUMP WITH INFRARED HEATER



A	Data plate	B	Electrical connection
---	------------	---	-----------------------

MODEL: BS-94EM
 DIMENSIONS: cm. 40x 90x 90h
 ELECTRIC POWER: 1,47 kW
 VOLTAGE: 230V~
 FREQUENCY: 50/60 Hz



kg: 60
 m³: 0.463
 mm: 430x970x1110

BUY LOTUS BUY ITALY

The pictures are purely representative. The manufacturer reserves the right to modify the technical data and models without previous notice.



LOTUS S.P.A. Via Calmaor, 46
 31020 San Vendemiano(TV) - Italy
 Tel. + 39 0438 778020 / 778468
 Fax + 39 0438 778277
 www.lotuscookers.it - lotus@lotuscookers.it