

BRT-66ET

60 MAGICLOTUS

FIXED ELECTRIC BRATT PANS - TOP



Bratt-pan threephase - Tank capacity 20 lts. -
Pan cm. 50,5x41x10 h



Construction - Fabricated using CrNi 18/10 AISI 304 grade Stainless Steel Scotch-Brite Satin polish Finish, incorporating 1mm thick worktop, rounded edges, chromed details and rear splash back. Knobs with waterproof grades IPX5. **Model** - Professional Electric Bratt Pan with 100mm deep single tank with highly efficient conductive stainless steel base, thermostatically controlled up to 300deg C. removable tank. **Maintenance** - All serviceable parts are accessible by the easy removal of front control panel. **Fittings** - Appliances supplied with adjustable feet.



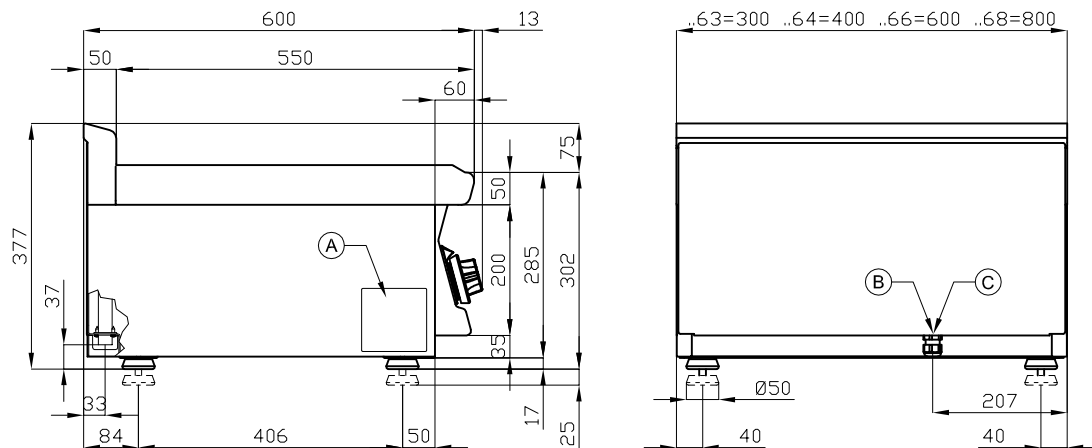
ITALIAN CULINARY ART

The pictures are purely representative. The manufacturer reserves the right to modify the technical data and models without previous notice.

BRT-66ET

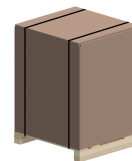
60 MAGICLOTUS

FIXED ELECTRIC BRATT PANS - TOP



A	Data plate	B	Electrical connection
---	------------	---	-----------------------

MODEL: BRT-66ET
DIMENSIONS: cm. 60x 60x 28h
ELECTRIC POWER: 6 kW
VOLTAGE: 400V~3N / 230V~3
FREQUENCY: 50/60 Hz



kg: 45
m³: 0.283
mm: 630x690x650

BUY LOTUS BUY ITALY

The pictures are purely representative. The manufacturer reserves the right to modify the technical data and models without previous notice.



LOTUS S.P.A. Via Calmaor, 46
31020 San Vendemiano(TV) - Italy
Tel. + 39 0438 778020 / 778468
Fax + 39 0438 778277
www.lotuscookers.it - lotus@lotuscookers.it